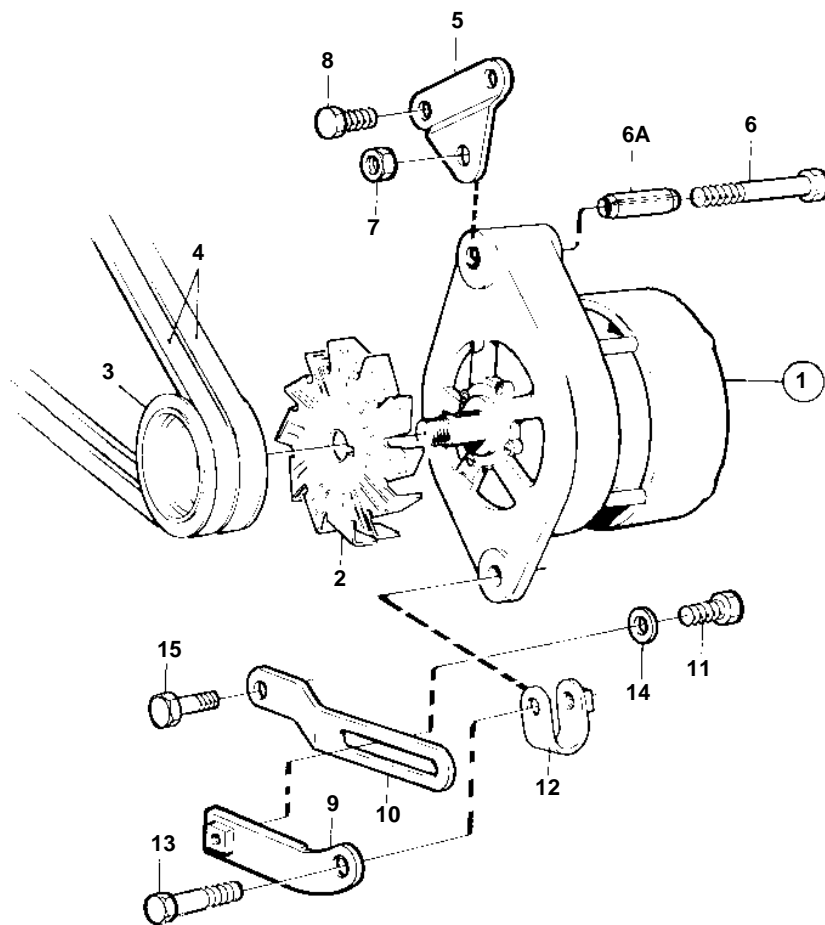
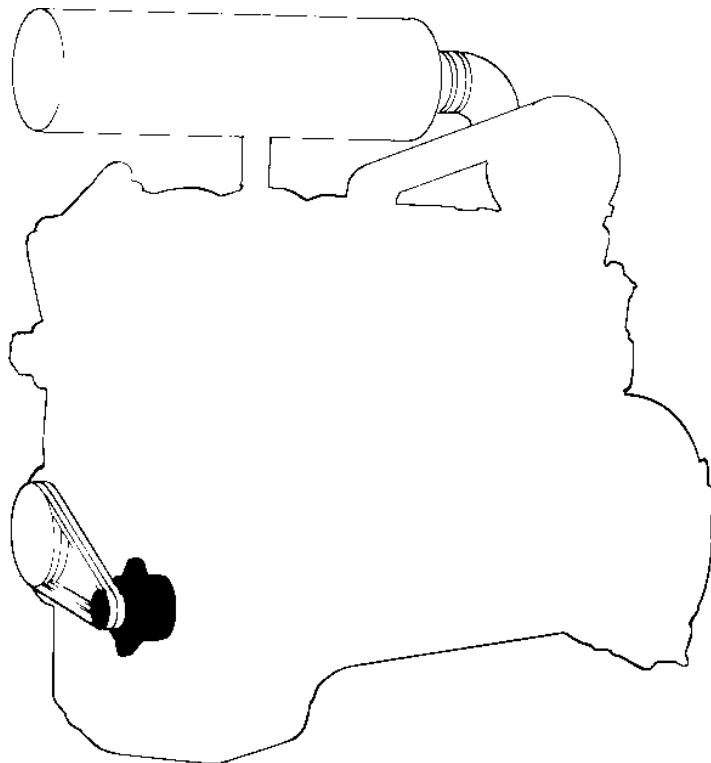


TD61A,TD61AW,TD71A,TD71AW,TID71A



10474

TD61A,TD61AW,TD71A,TD71AW,TID71A

REF	PART NO.	QTY	DESCRIPTION	SEE SEC.	NOTES
1	858838	1	Alternator		14V 50A. FOR 12 VOLTAGE ELECTRIC SYSTEM.
				030-1000	
	872018	1	Alternator		14V 50A. FOR 12 VOLTAGE ELECTRIC SYSTEM.
				030-0940	
	872926	1	Alternator		14V 50A. FOR 12 VOLTAGE ELECTRIC SYSTEM.
				030-0940	
	845940	1	Alternator		24V 55A. FOR 24 VOLTAGE ELECTRIC SYSTEM.
				030-0900	
	849563	1	Alternator		28V 55A. FOR 24 VOLTAGE ELECTRIC SYSTEM.
				030-0900	
	863955	1	Alternator		28V 60A. FOR 24 VOLTAGE ELECTRIC SYSTEM.. ALSO AVAILABLE AS AN EXCHANGE PART.
			Bulletin 45-02A	45-02A-EN	Alternator
1				030-0925	
	872021	1	Alternator		28V 60A. FOR 24 VOLTAGE ELECTRIC SYSTEM.
				030-0950	
2	847707	1	• Fan		FOR 24 VOLTAGE ELECTRIC SYSTEM.
	840621	1	• Fan		FOR 12 VOLTAGE ELECTRIC SYSTEM.
3	822573	1	Pulley		
4	966869	1	V-belt set		L = 2X1150 MM
5	847926	1	Bracket		
6	847925	1	Screw		
6A	1610144	1	Pin		FÖR/FOR 872021
7	971089	1	Lock nut		
8	947760	2	Flange screw		
9	847956	1	Tensioner		
10	847957	1	Tensioner		
11	946173	1	Flange screw		
12	466734	1	Tensioning eyelet		
13	947760	1	Flange screw		
14	191172	1	Washer		
15	946173	1	Flange screw		