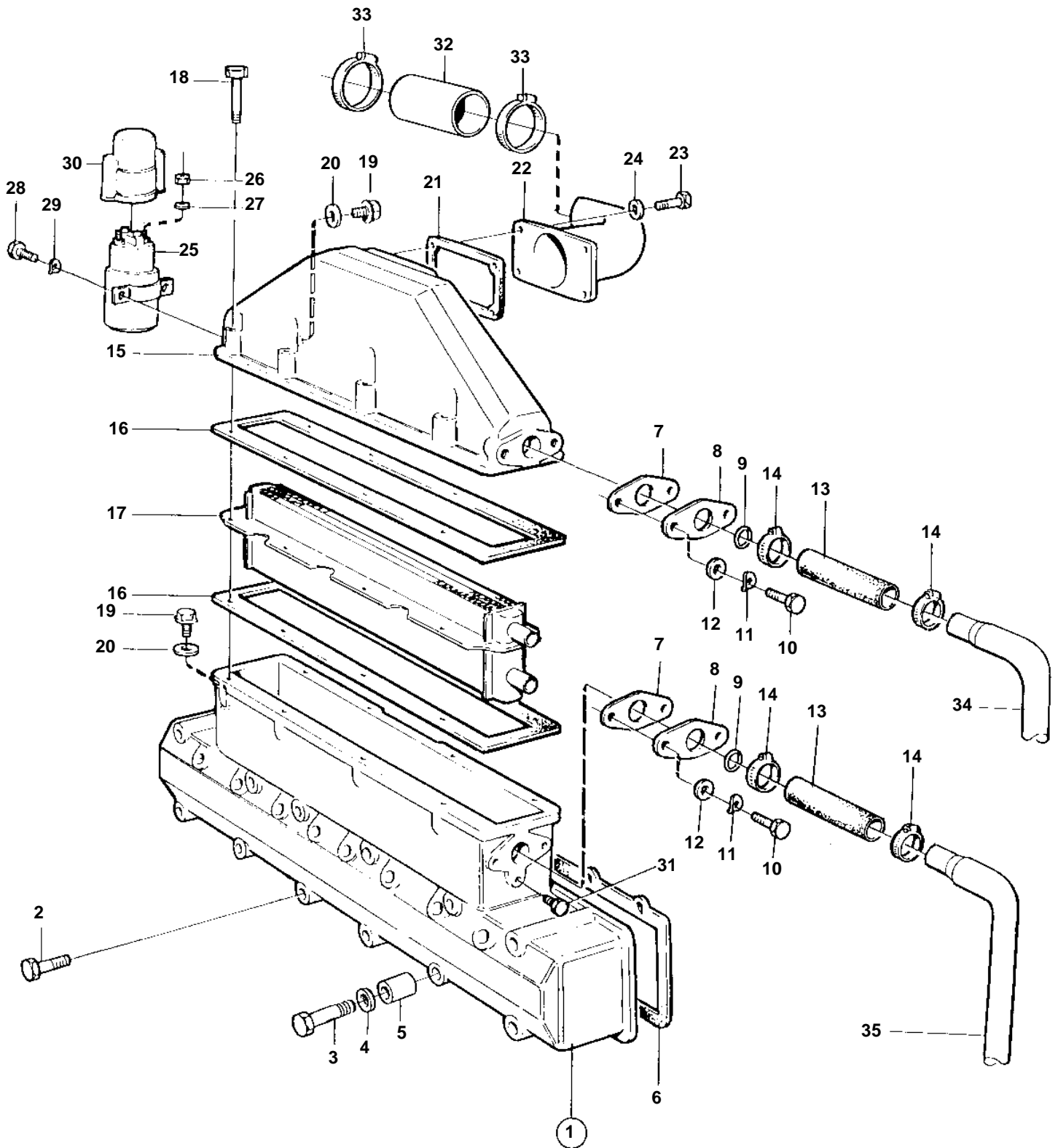


TID61AG,TID61AGP



11849

TID61AG,TID61AGP

REF	PART NO.	QTY	DESCRIPTION	SEE SEC.	NOTES
1		1	INLET MANIFOLD		
				02B-1530	
2	965183	10	Flange screw		L = 90 MM
3	955310	2	Screw		L = 130 MM
4	976944	2	Washer		(966674)
5	848229	1	Sleeve		L = 31 MM
	826652	1	Spacer sleeve		L = 20 MM
	845589	1	Spacer sleeve		L = 8 MM
6	424610	2	Gasket	IK	
7	862619	2	Gasket	IK	
8	846896	2	Flange		
9	925057	2	Rubber ring	IK	
10	955273	4	Screw		
11	955894	4	Washer		(941906)
12	960139	4	Washer		
13	952969	2	Rubber hose		
14	943473	4	Hose clamp		*
15	849429	1	Cover		
16	845515	2	Gasket	IK	
17	863489	1	Insert		(845660)
18	965181	8	Screw		
19	940199	2	Screw		
20	957171	2	Gasket	IK	
21	862620	1	Gasket	IK	
22	846793	1	Connection pipe		
23	955273	4	Screw		
24	955892	4	Washer		
25	1088170	1	Relay		24V 150A (1577376)
	872242	1	Relay, RELAY		12V,ALT FOR TID61AG (1577375)
26	17624	2	· Nut		M8
	955780	2	· Nut		M5
27	955894	2	Washer		
28	955244	2	Screw		
29	941904	2	Spring washer		
30	1581123	1	Cover		
31	479979	1	Plug		(191026)
32		1	HOSE	02B-2140	
33	943479	2	Hose clamp		* *
34		1	PIPE, THERM. HOUSING		
35		1	PIPE, WATER PUMP		