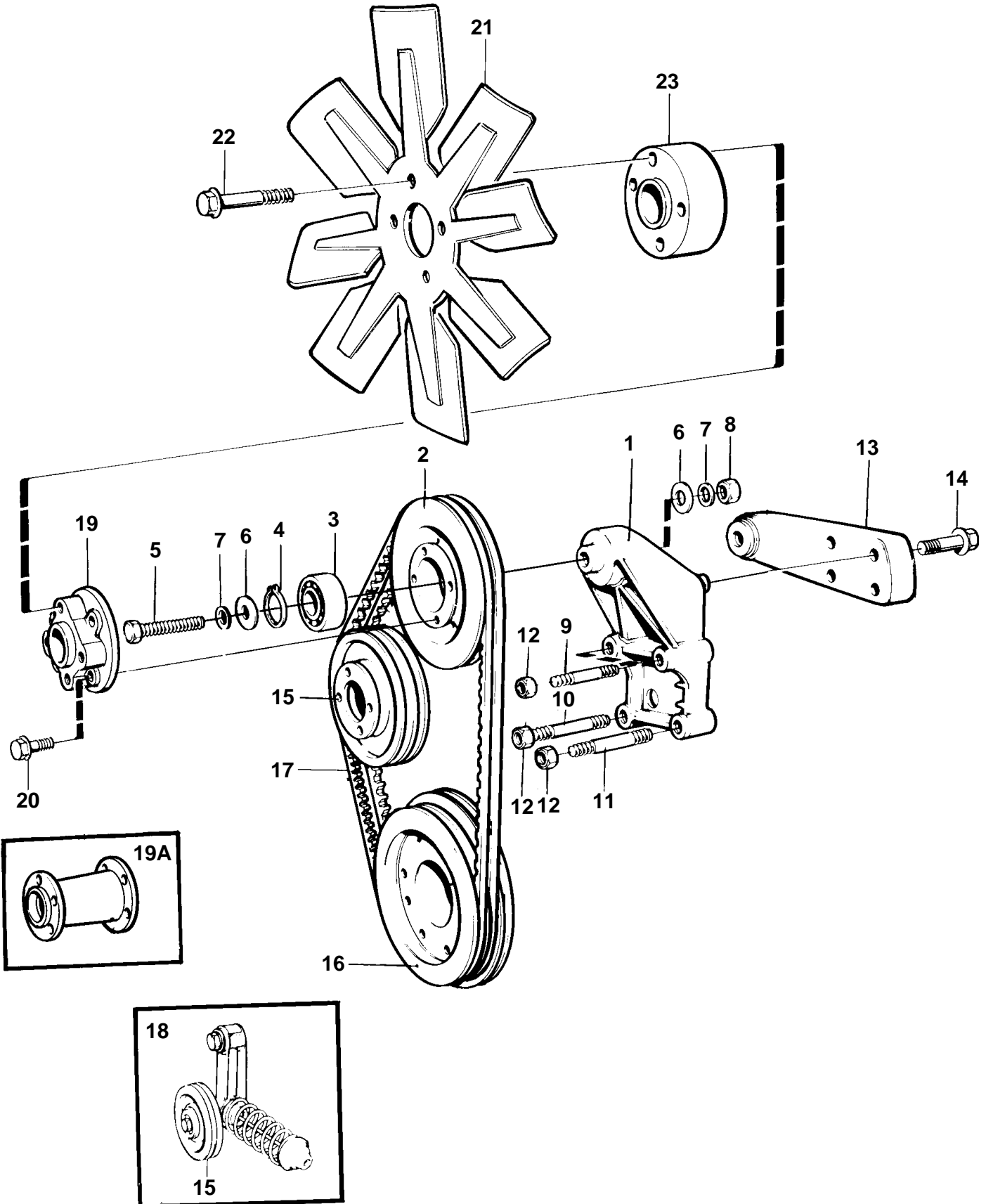


TD61AP,TD61APB,TD71AP,TD71APB,

TID71AP,TID71APB



11740

TD61AP,TD61APB,TD71AP,TD71APB, TID71AP,TID71APB

REF	PART NO.	QTY	DESCRIPTION	SEE SEC.	NOTES
1	11030668	1	Bracket		
2	849932	1	Pulley		3SPAR-3GROOVE. 4 AND 6 HOLES.. D=159MM
3	1660115	1	Ball bearing		
4	914532	1	Snap ring		
5	970959	1	Screw		(955329)
6	4772122	2	Washer		
7	947541	2	Washer		
8	971071	1	Nut		(955783)
9	17378	2	Stud		L = 170 MM
10	479971	1	Stud		L = 40 MM (924077)
11	479973	1	Stud		L=80MM (924090)
12	971095	4	Nut		(945409)
13	4772116	1	Anchorage		
14	965216	4	Screw		
15		1	PULLEY	02B-1360	
16		1	PULLEY		SEE GROUP 2A
17	966847	1	V-belt set		L = 2X1175 MM
18		1	AUTOMATIC BELT- TENSIONER AND INSTALLATION COMP.	02B-1360	
19	848194	1	Hub		L = 43 MM
19a	849432	1	Fan hub		L = 101 MM. *REPLACED BY 1PC HUB 848194, 1PC SPACER RING 848379 AND 4PCS FLANGE SCREW 965182.
20	946173	1	Flange screw		L = 20 MM
	945444	1	Flange screw		L = 25 MM
21	843517	1	Fan, SUCTION TYPE		D = 620 MM
22	965182	4	Flange screw		L = 80 MM
23	848379	1	Spacer ring		