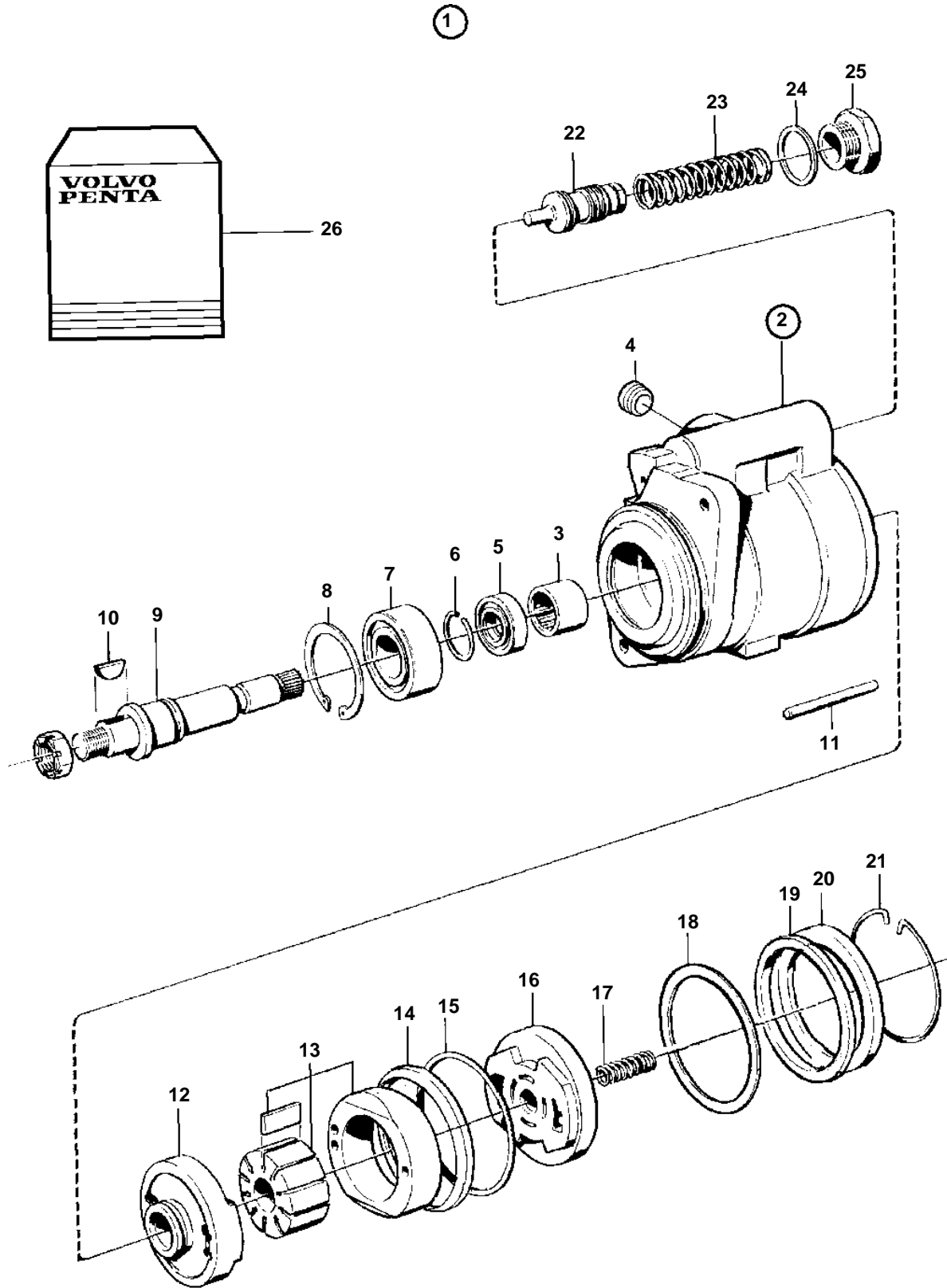


TD610V, TWD610V, TD630VE, TWD630VE, TD640VE



TD610V, TWD610V, TD630VE, TWD630VE, TD640VE

REF	PART NO.	QTY	DESCRIPTION	NOTES
1	1589925	1	Hydraulic pump	
2		1	· Housing	
3	183582	1	· · Needle bearing	
4		1	· · Plug	
5		1	· Sealing ring	Included in gasket kit.
6		2	· Lock ring	Included in small parts kit.
7	3825779	1	· Ball bearing	
8		1	· Lock ring	Included in small parts kit.
9	1695592	1	· Shaft	
10	1505357	1	· Key	Included in small parts kit.
11		1	· Pin	
12		1	· Plate	
13		1	· Rotor kit	
14		1	· Support ring	Included in gasket kit.
15		1	· O-ring	Included in gasket kit.
16		1	· Plate	
17		1	· Spring	Included in small parts kit.
18		1	· O-ring	
19		1	· Support ring	Included in gasket kit.
20		1	· Cover	
21		1	· Lock ring	Included in small parts kit.
22		1	· Piston	
23		1	· Spring	
24		1	· Gasket	Included in small parts kit.
25		1	· Plug	
26	271561	1	Gasket kit	
	276174	1	Small parts kit	