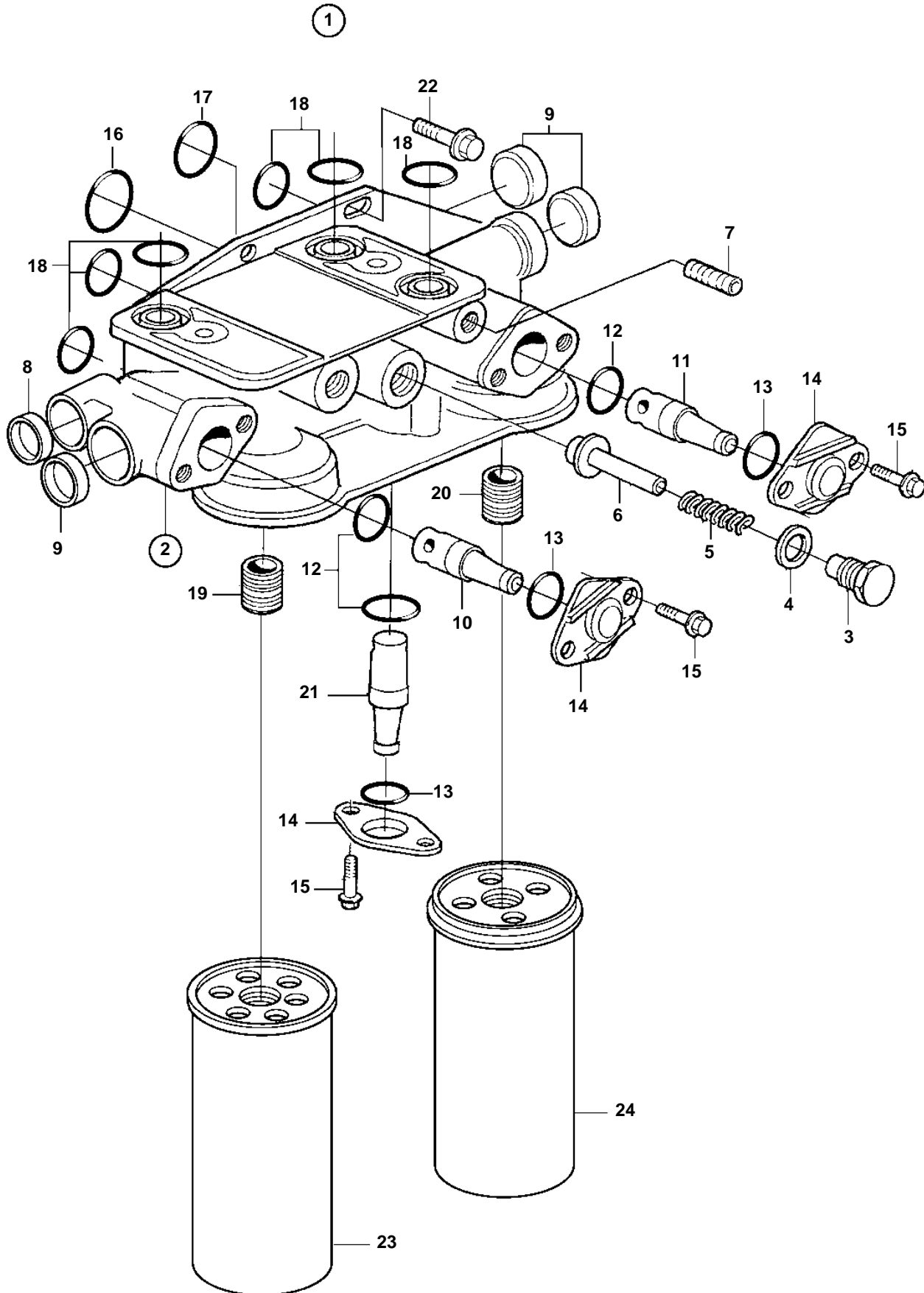


TD640VE



TD640VE

REF	PART NO.	QTY	DESCRIPTION	NOTES
1	3978185	1	Oil filter housing	(3828703)
2		1	· Oil filter housing	
3	471598	1	· Plug	
4	947627	1	· Gasket	
5	466653	1	· Spring	
6	471085	1	· Valve	
7	968061	1	· Plug	
8	946778	2	· Cap plug	
9	946779	3	· Cap plug	
10	471646	1	· Reducing valve, piston cooling	WHITE
11	471707	1	· Reducing valve	YELLOW
12	469846	3	· Sealing ring	
13	949659	3	· O-ring	
14	471648	3	· Cover	
15	946544	6	· Flange screw	
16	8192187	1	· Sealing ring	
17	8192188	1	· Sealing ring	
18	8192190	6	· Sealing ring	
19	466623	1	· Nipple	
20	469904	1	· Nipple	
21	1547368	1	· Reducing valve	BROWN
22	946472	5	Screw	L=30mm
	946329	1	Flange screw	L=25mm
23	466634	1	Oil filter	
24	477556	1	Oil filter	