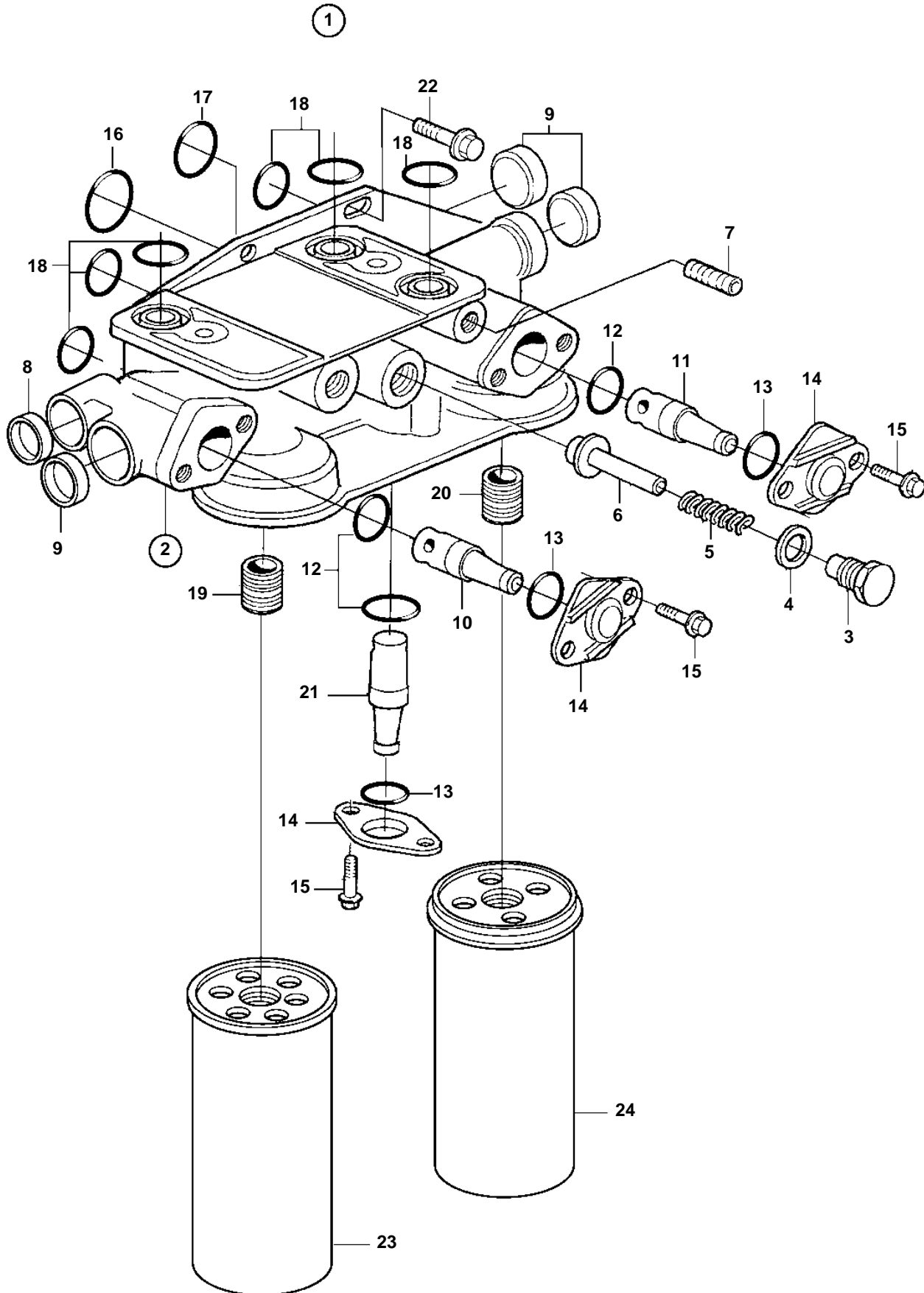


TD640VE



TD640VE

REF	PART NO.	QTY	DESCRIPTION	NOTES
1	3978185	1	Oil filter housing	(3828703)
2		1	• Oil filter housing	
3	471598	1	• Plug	
4	947627	1	• Gasket	
5	466653	1	• Spring	
6	471085	1	• Valve	
7	968061	1	• Plug	
8	946778	2	• Cap plug	
9	946779	3	• Cap plug	
10	471646	1	• Reducing valve, piston cooling	WHITE
11	471707	1	• Reducing valve	YELLOW
12	469846	3	• Sealing ring	
13	949659	3	• O-ring	
14	471648	3	• Cover	
15	946544	6	• Flange screw	
16	8192187	1	• Sealing ring	
17	8192188	1	• Sealing ring	
18	8192190	6	• Sealing ring	
19	466623	1	• Nipple	
20	469904	1	• Nipple	
21	1547368	1	• Reducing valve	BROWN
22	946472	5	Screw	L=30mm
	946329	1	Flange screw	L=25mm
23	466634	1	Oil filter	
24	477556	1	Oil filter	