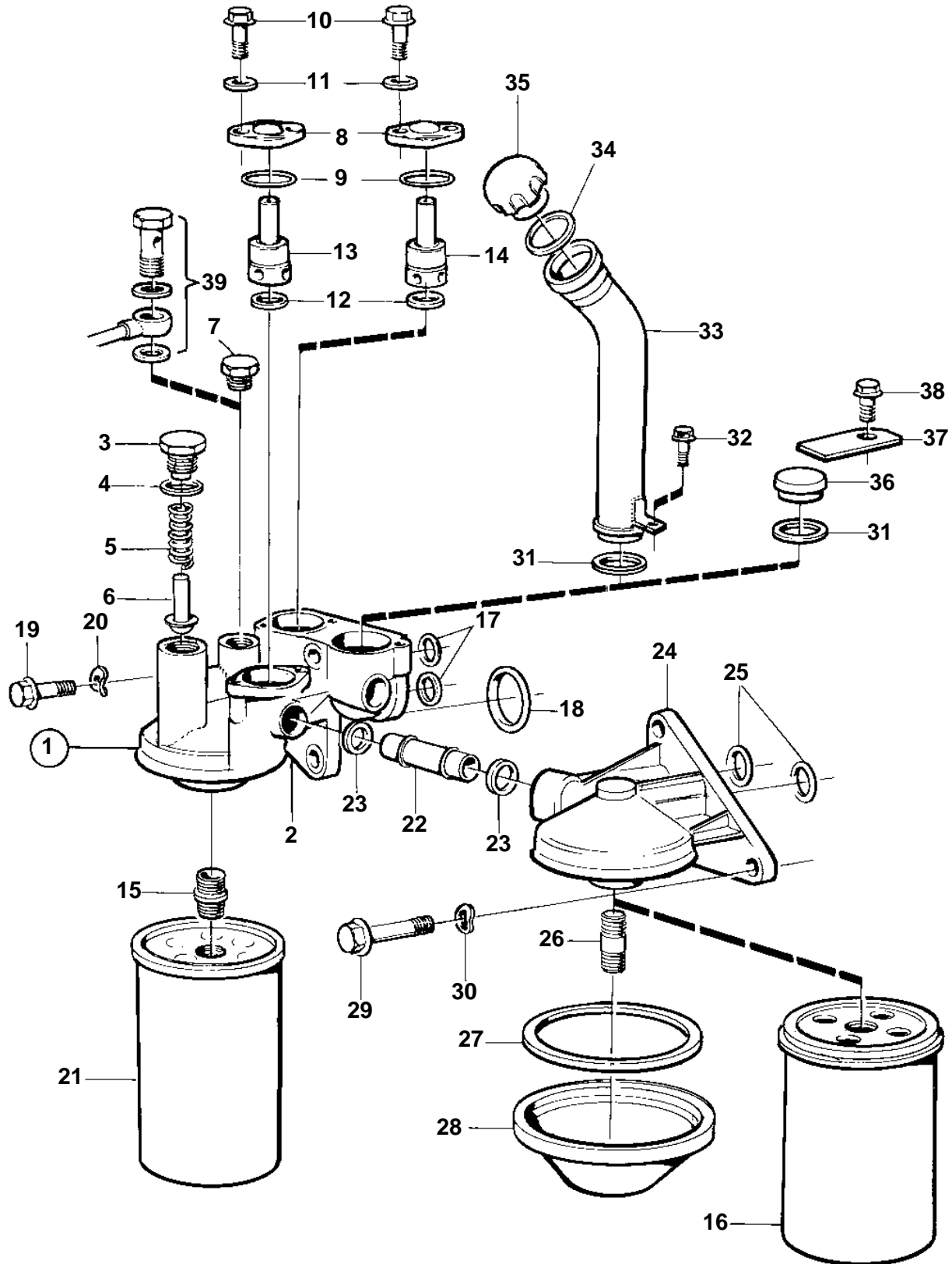


TD610V, TWD610V



TD610V, TWD610V

REF	PART NO.	QTY	DESCRIPTION	NOTES
1	420928	1	Oil filter housing	
2		1	• Housing	
3	471598	1	• Plug	
4	947627	1	• Gasket	
5	466653	1	• Spring	
6	471085	1	• Valve	
7	479979	1	• Plug	ALT
8	471648	2	• Cover	
9	949659	2	• O-ring	
10	946544	4	• Flange screw	
12	469846	2	• Sealing ring	
13	471640	1	• Reducing valve	RED
14	471812	1	• Reducing valve	BLACK
15	466623	1	• Nipple	
16	477556	1	Oil filter	ALT, BY-PASS
17	949656	2	O-ring	
18	949722	1	O-ring	
19	946329	2	Flange screw	L=25mm
	965222	1	Screw	L=65mm
20	941908	3	Spring washer	
21	466634	1	Oil filter	
22	465857	1	Tube	
23	471956	2	Sealing ring	
24	471601	1	Oil filter housing	
25	949656	2	O-ring	
26	469904	1	Nipple	
27	948981	1	O-ring	
28	3812509	1	Cover	
29	946329	3	Flange screw	L=25mm
30	941908	3	Spring washer	
31	20555696	1	Sealing ring	
32	946440	1	Flange screw	
33	848583	1	Tube	
34	1275379	1	Gasket	
35	421753	1	Oil filler cap	
36	848319	1	Plug	ALT
37	848318	1	Anchorage	ALT
38	946440	1	Flange screw	ALT
39		1	Oil feed pipe, turbo	SEE GROUP 25