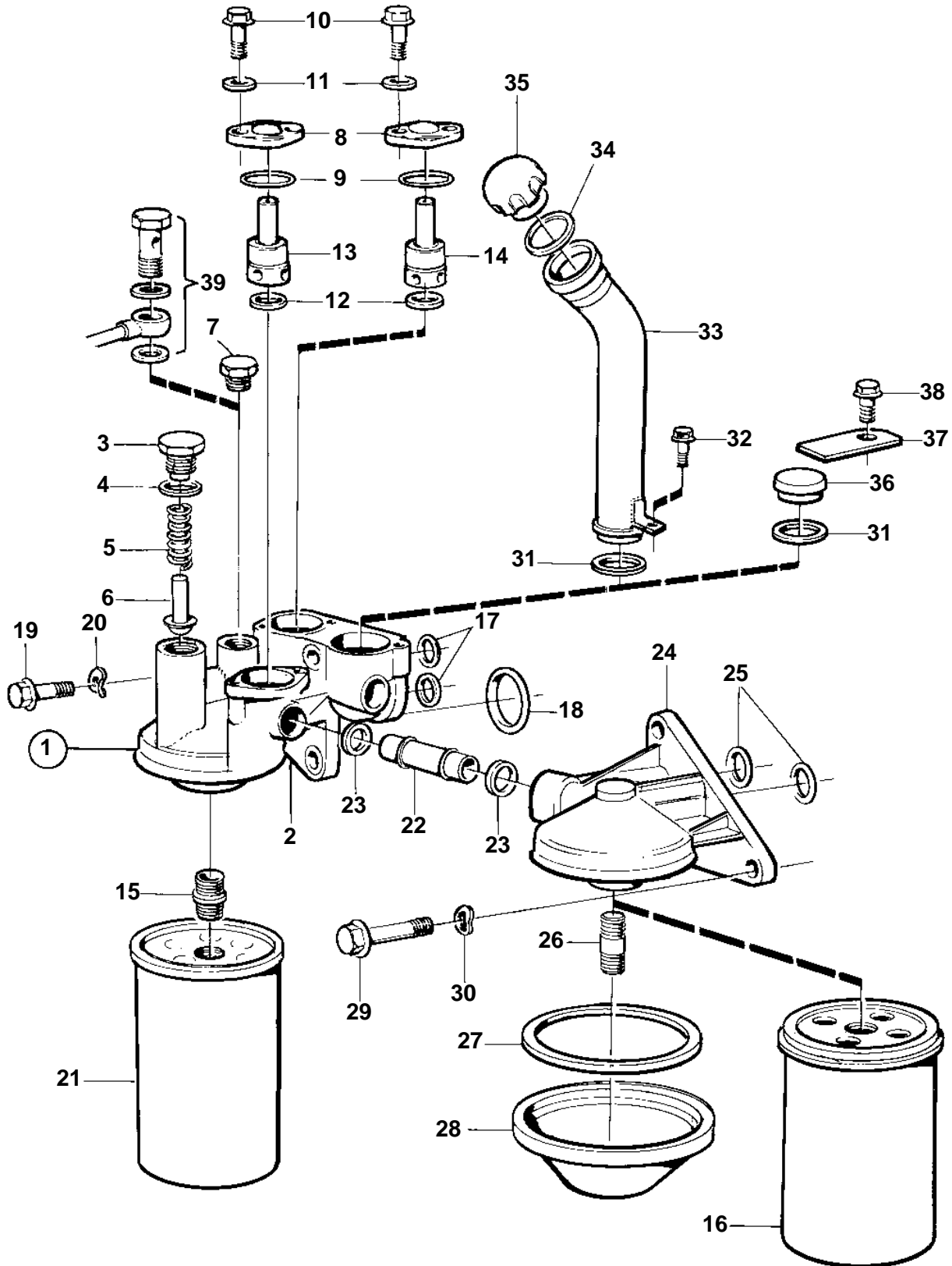


TD610V, TWD610V



TD610V, TWD610V

| REF | PART NO. | QTY | DESCRIPTION | NOTES |
|-----|----------|-----|----------------------|--------------|
| 1 | 420928 | 1 | Oil filter housing | |
| 2 | | 1 | • Housing | |
| 3 | 471598 | 1 | • Plug | |
| 4 | 947627 | 1 | • Gasket | |
| 5 | 466653 | 1 | • Spring | |
| 6 | 471085 | 1 | • Valve | |
| 7 | 479979 | 1 | • Plug | ALT |
| 8 | 471648 | 2 | • Cover | |
| 9 | 949659 | 2 | • O-ring | |
| 10 | 946544 | 4 | • Flange screw | |
| 12 | 469846 | 2 | • Sealing ring | |
| 13 | 471640 | 1 | • Reducing valve | RED |
| 14 | 471812 | 1 | • Reducing valve | BLACK |
| 15 | 466623 | 1 | • Nipple | |
| 16 | 477556 | 1 | Oil filter | ALT, BY-PASS |
| 17 | 949656 | 2 | O-ring | |
| 18 | 949722 | 1 | O-ring | |
| 19 | 946329 | 2 | Flange screw | L=25mm |
| | 965222 | 1 | Screw | L=65mm |
| 20 | 941908 | 3 | Spring washer | |
| 21 | 466634 | 1 | Oil filter | |
| 22 | 465857 | 1 | Tube | |
| 23 | 471956 | 2 | Sealing ring | |
| 24 | 471601 | 1 | Oil filter housing | |
| 25 | 949656 | 2 | O-ring | |
| 26 | 469904 | 1 | Nipple | |
| 27 | 948981 | 1 | O-ring | |
| 28 | 3812509 | 1 | Cover | |
| 29 | 946329 | 3 | Flange screw | L=25mm |
| 30 | 941908 | 3 | Spring washer | |
| 31 | 20555696 | 1 | Sealing ring | |
| 32 | 946440 | 1 | Flange screw | |
| 33 | 848583 | 1 | Tube | |
| 34 | 1275379 | 1 | Gasket | |
| 35 | 421753 | 1 | Oil filler cap | |
| 36 | 848319 | 1 | Plug | ALT |
| 37 | 848318 | 1 | Anchorage | ALT |
| 38 | 946440 | 1 | Flange screw | ALT |
| 39 | | 1 | Oil feed pipe, turbo | SEE GROUP 25 |