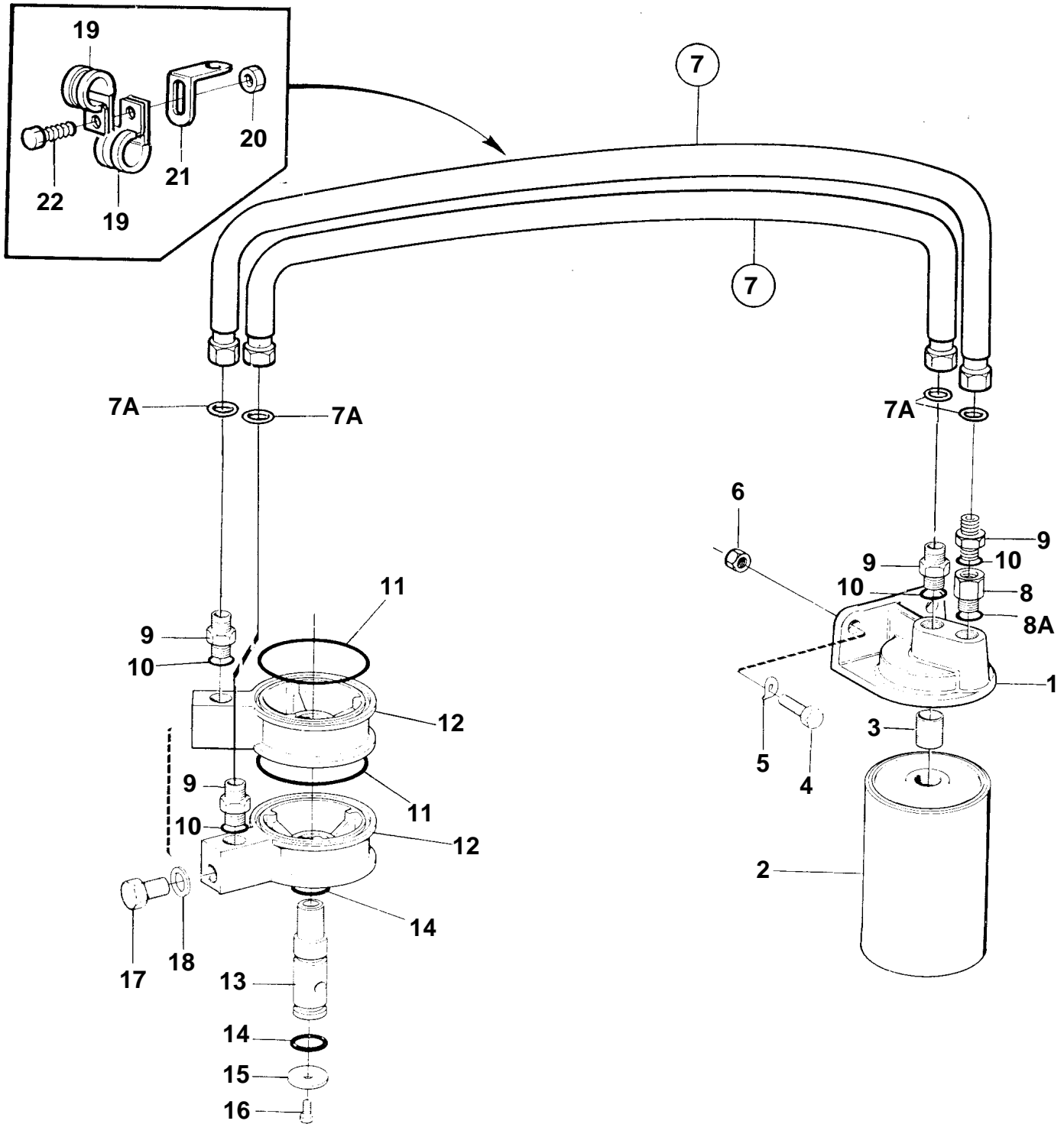


TD610V, TWD610V, TD630VE, TWD630VE, TD640VE



15736

TD610V, TWD610V, TD630VE, TWD630VE, TD640VE

REF	PART NO.	QTY	DESCRIPTION	NOTES
1	848509	1	Housing	
2	466634	1	Oil filter	
3	466623	1	Nipple	
4	970947	2	Screw	
5	960148	2	Washer	
6	955783	2	Nut	
7	863341	2	Hose	L=775mm
7A	4880663	4	· O-ring	
8	863345	1	Nipple	
8A	957185	1	Gasket	
9	947554	4	Nipple	
10	18677	4	Gasket	
11	949647	2	O-ring	
12	848502	2	Cover	
13	848504	1	Tube	
14	949658	2	O-ring	
15	862692	1	Washer	
16	970945	1	Screw	L=20mm
17	960632	2	Plug	
18	948884	2	Washer	
19	952634	2	Clamp	
20	945407	1	Flange nut	
21	965552	1	Bracket	
22	947542	1	Screw	