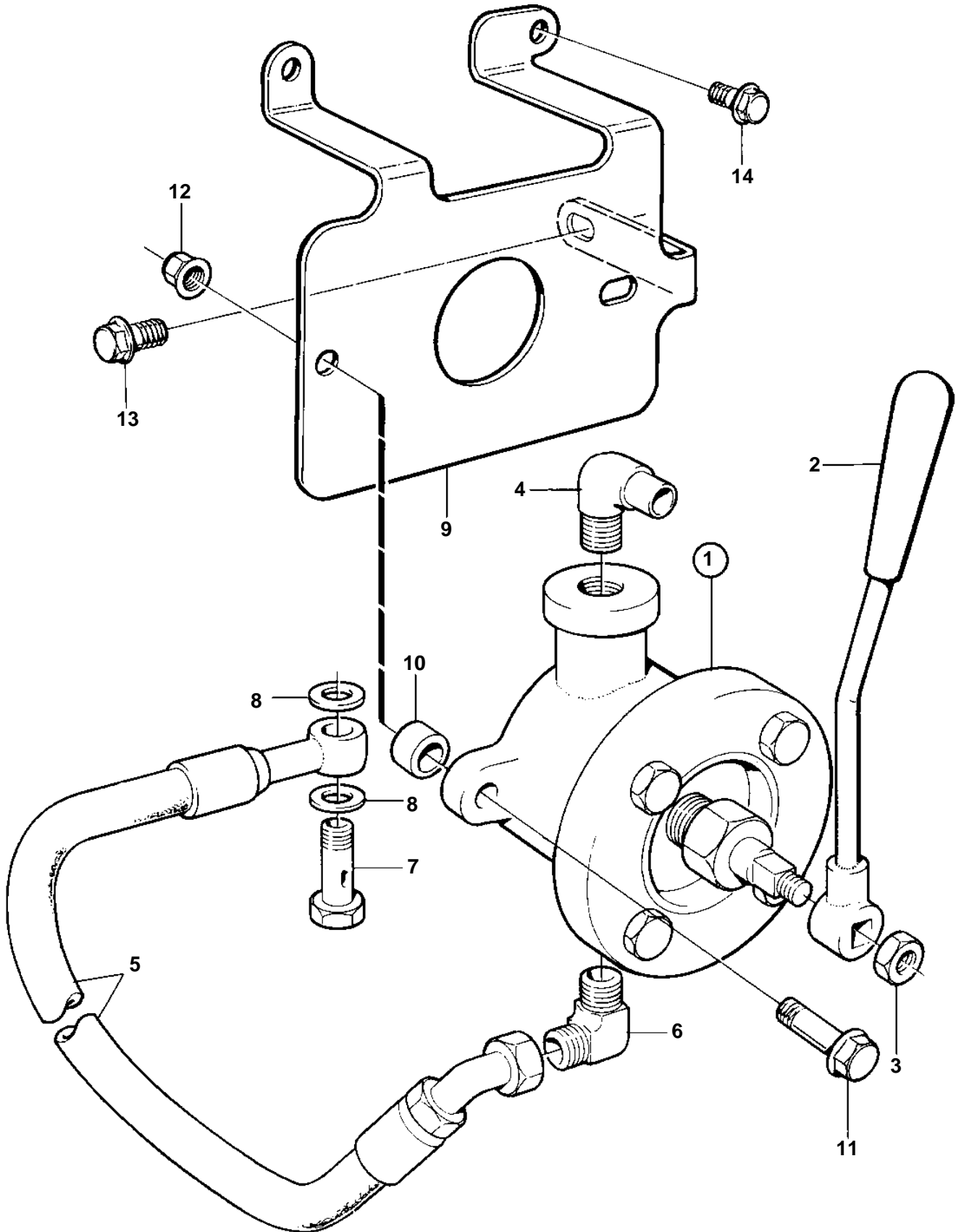


TD610V, TWD610V, TD630VE, TWD630VE, TD640VE



TD610V, TWD610V, TD630VE, TWD630VE, TD640VE

REF	PART NO.	QTY	DESCRIPTION	NOTES
1	3808946	1	Oil bilge pump	
2	821713	1	• Handle	
3	971071	1	Nut	(955783)
4	467716	1	Elbow nipple	(961610)
5	849888	1	Oil hose	
6	957111	1	Elbow nipple	
7	966821	1	Hollow screw	
8	18813	2	Gasket	
9	865965	1	Bracket	
10	1576517	2	Sleeve	
11	965185	2	Flange screw	M10x40mm
12	971095	2	Nut	
13	946471	1	Screw	M10x16mm
14	946440	2	Flange screw	M8x16mm