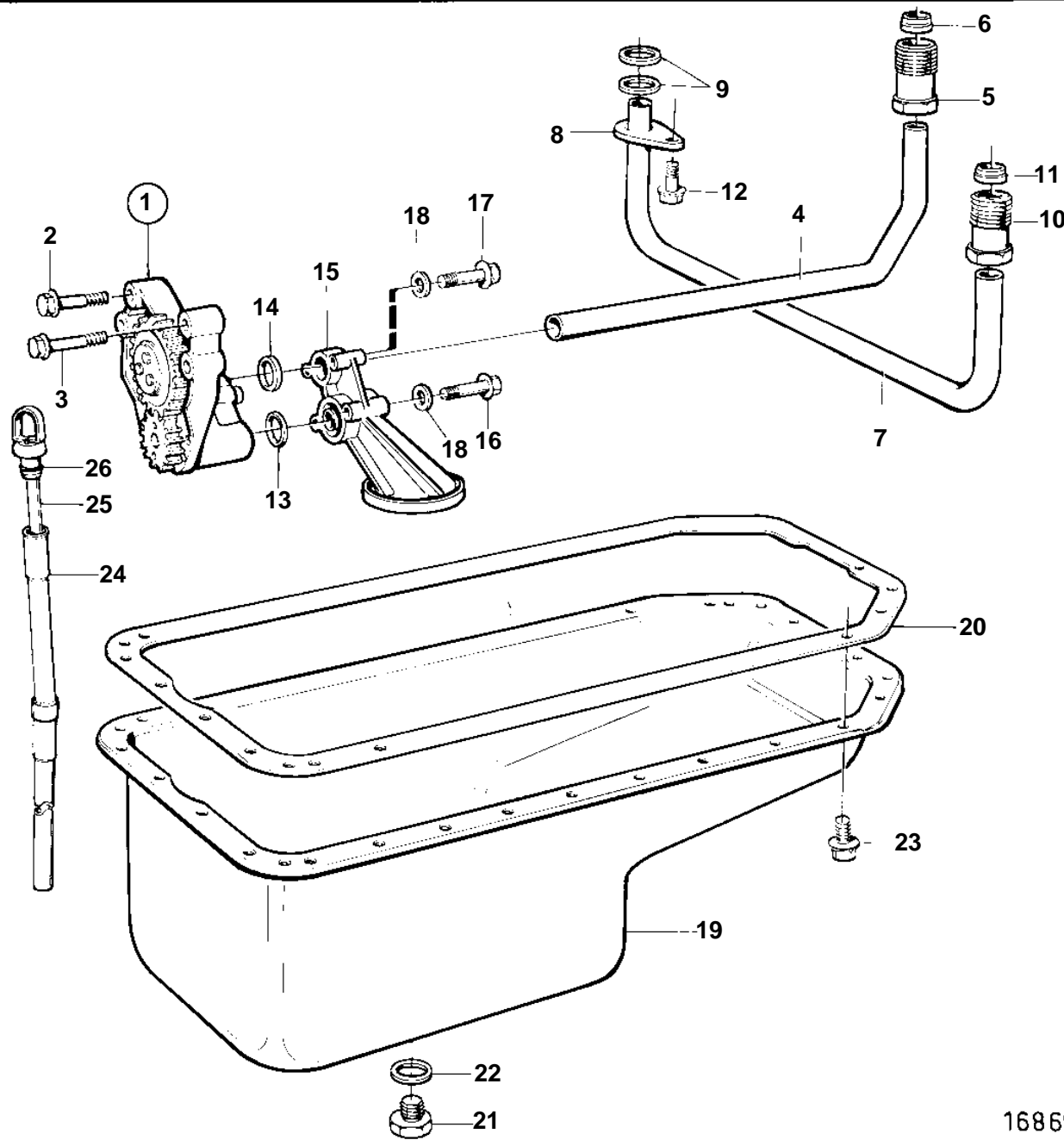
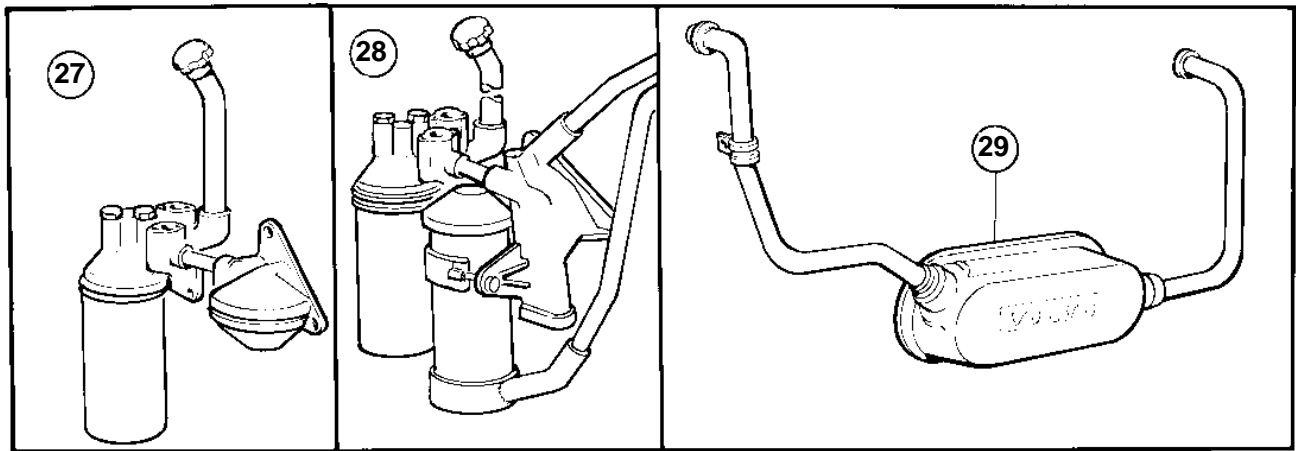


TD630VE



TD630VE

REF	PART NO.	QTY	DESCRIPTION	SEE SEC.	NOTES
1				1377	
	477547	1	Oil pump		
				1377	
2	471513	4	Screw		M10x70mm
3	471734	2	Screw		M8x70mm
4	420994	1	Oil feed pipe		
5	471595	1	· Pressure pipe connec		
6	980786	1	· Ferrule		
7	420996	1	Oil feed pipe		In combination with oil cooler.
8	471746	1	· Clamp		In combination with oil cooler.
9	471956	2	· Sealing ring		In combination with oil cooler.
10	471595	1	· Pressure pipe connec		In combination with oil cooler.
11	980786	1	· Ferrule		In combination with oil cooler.
12	946440	1	Flange screw		
13	949659	1	O-ring		
14	471956	1	Sealing ring		
15	420725	1	Oil pump screen		
16	968999	2	Screw		L=130mm
17	968842	2	Flange screw		L=110mm
18	955894	4	Washer		
19	11162235	1	Oil pan		
20	11030778	1	Gasket		
21	20571854	1	Plug		Included in Oil Pan 11162235
22	18813	1	Gasket		Included in Oil Pan 11162235
23	946440	34	Flange screw		
24	3837267	1	Tube		Oil dipstick mounted on right side.
	862055	1	Tube		Oil dipstick mounted on left side.
25	863797	1	Oil dipstick		Oil dipstick mounted on right side.
	862197	1	Oil dipstick		Oil dipstick mounted on left side.
26	925054	1	· O-ring		FOR 863797
	955984	1	Sealing ring		FOR 862197
27		1	Oil filter housing	3239	
28		1	Oil filter housing		
29		1	Oil cooler	3114	