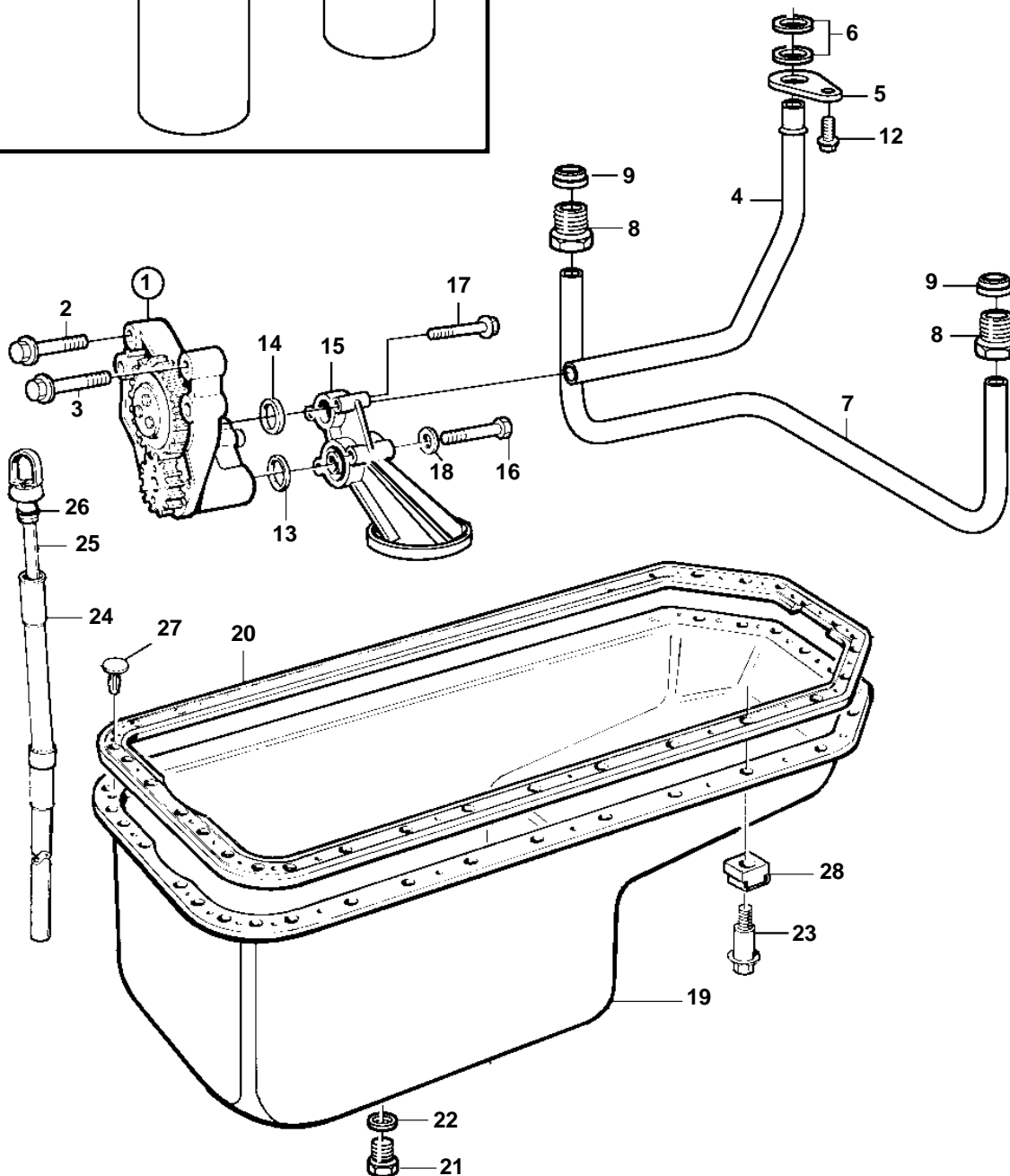
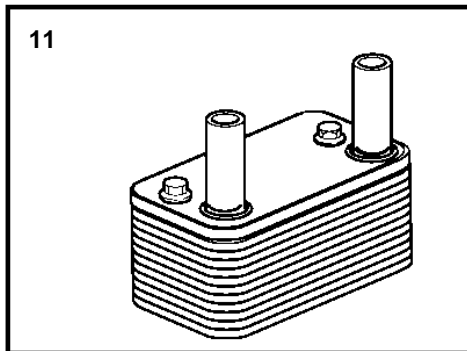
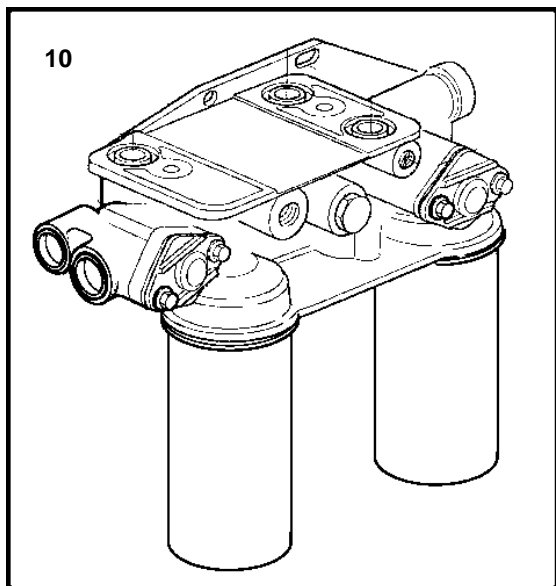


TD640VE



17518

## TD640VE

REF	PART NO.	QTY	DESCRIPTION	SEE SEC.	NOTES
1	477547	1	Oil pump		
				1377	
2	471513	4	Screw		M10x70mm
3	471734	2	Screw		M8x70mm
4	420885	1	Oil feed pipe		
5	471746	1	Clamp		
6	471956	2	Sealing ring		
7	425971	1	Oil feed pipe		
8	471595	2	· Pressure pipe connec		
9	980786	2	· Ferrule		
10		1	Oil filter housing	3813	
11		1	Oil cooler	3992	
12	946440	1	Flange screw		
13	949659	1	O-ring		
14	471956	1	Sealing ring		
15	420725	1	Oil pump screen		
16	968999	2	Screw		M8x130mm
17	968842	2	Flange screw		M8x110mm
18	955894	2	Washer		
19	420738	1	Oil pan		
20	420941	1	Gasket		
21	20571854	1	Plug		
22	18813	1	Gasket		
23	1556083	34	Screw		
24	862055	1	Tube		
25	862197	1	Oil dipstick		
26	955984	1	Sealing ring		
27	943353	20	Rivet		
28	420991	34	Rubber cushion		