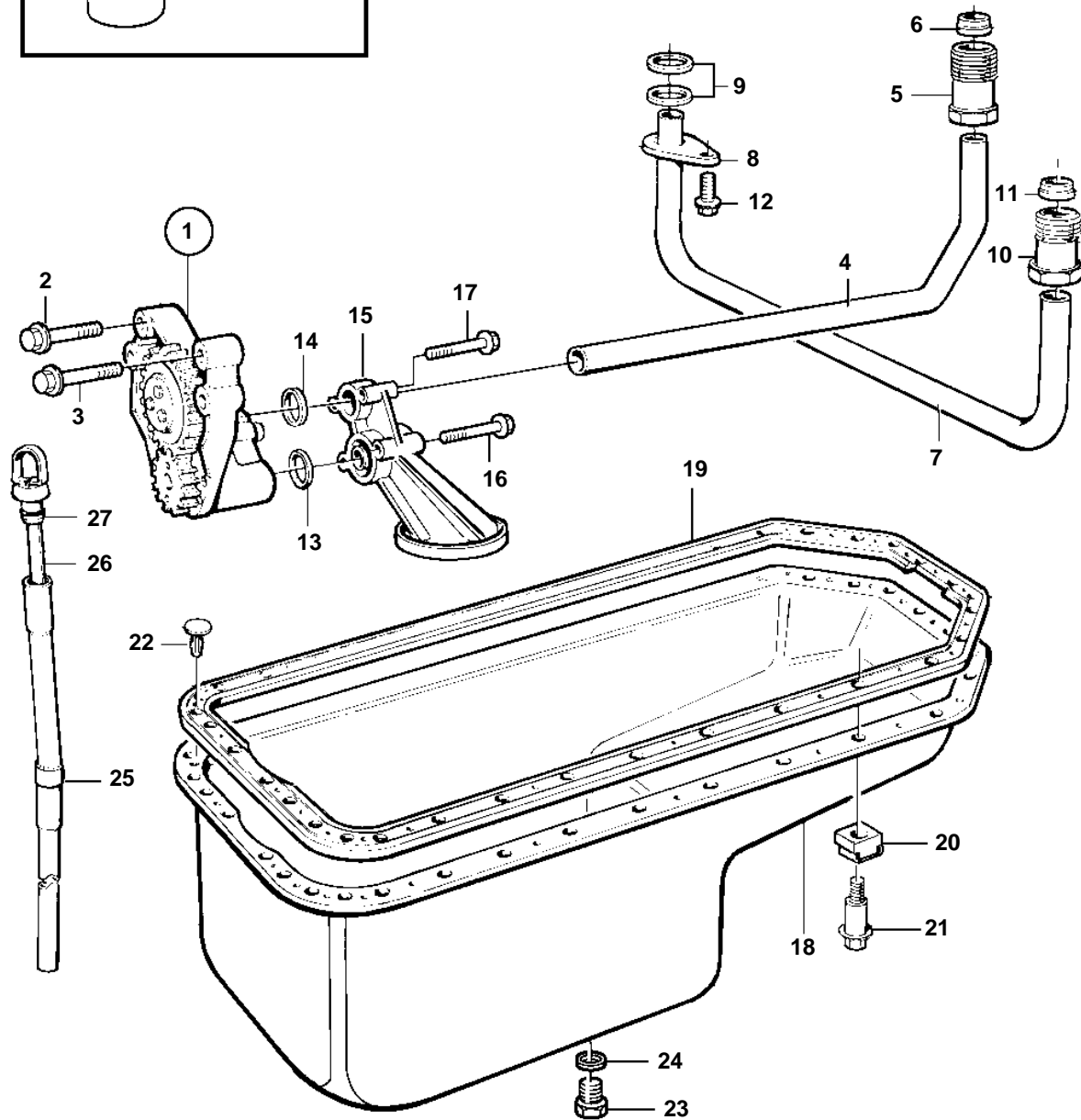
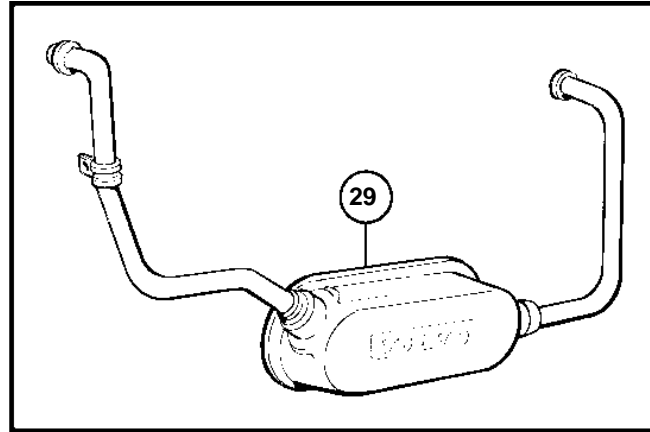
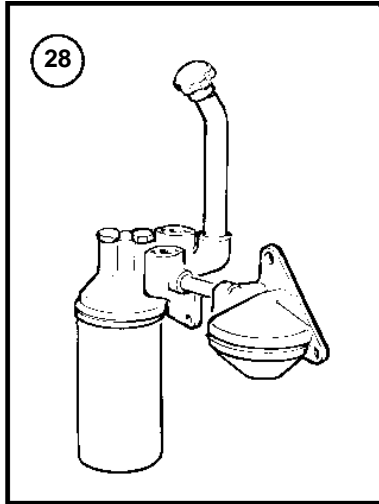


TWD630VE



TWD630VE

REF	PART NO.	QTY	DESCRIPTION	SEE SEC.	NOTES
1				1377	
	477547	1	Oil pump		
				1377	
2	471513	4	Screw		M10x70mm
3	471734	2	Screw		M8x70mm
4	420994	1	Oil feed pipe		
5	471595	1	· Pressure pipe connec		
6	980786	1	· Ferrule		
7	420996	1	Oil feed pipe		
8	471746	1	· Clamp		
9	471956	1	· Sealing ring		
10	471588	1	· Pressure pipe connec		
11	980786	2	· Ferrule		
12	946440	1	Flange screw		
13	949659	1	O-ring		
14	471956	1	Sealing ring		
15	420725	1	Oil pump screen		
16	968999	2	Screw		
17	968842	2	Flange screw		
18	420738	1	Oil pan		
19	420941	1	Gasket		
20	420991	34	Rubber cushion		
21	1556083	34	Screw		
22	943353	20	Rivet		
23	20571854	1	Plug		
24	18813	1	Gasket		
25	3837267	1	Tube		Oil dipstick mounted on right side.
	862055	1	Tube		Oil dipstick mounted on left side.
26	863797	1	Oil dipstick		Oil dipstick mounted on right side.
	862197	1	Oil dipstick		Oil dipstick mounted on left side.
27	925054	1	· O-ring		FOR 863797
	955984	1	Sealing ring		FOR 862197
28		1	Oil filter housing	3239	
29		1	Oil cooler	3114	