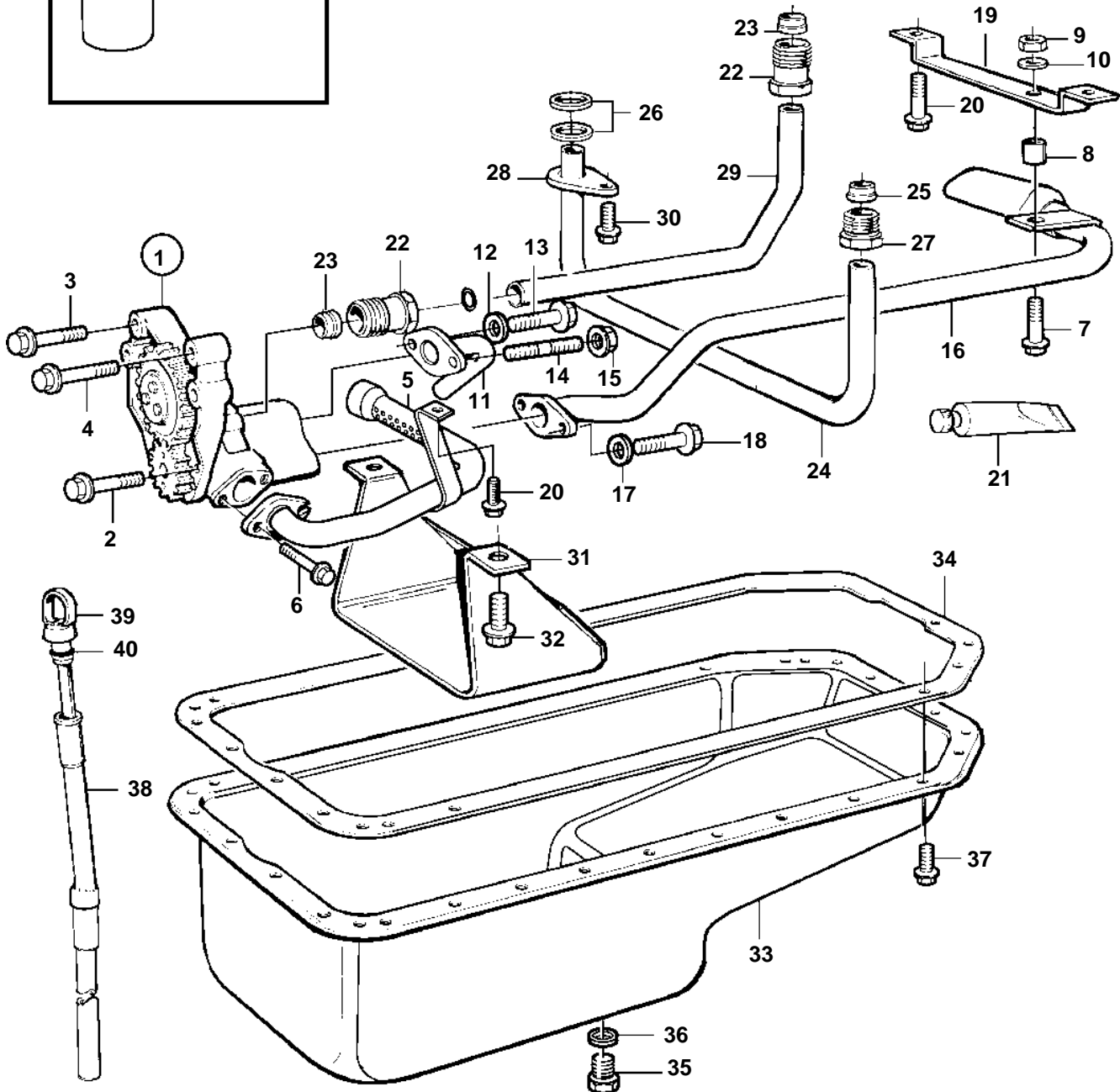
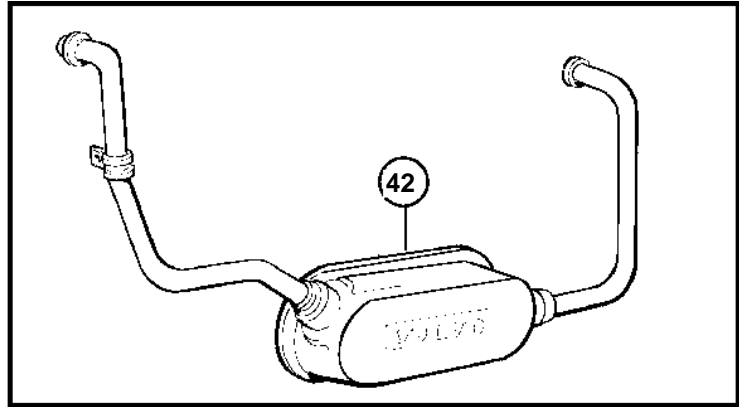
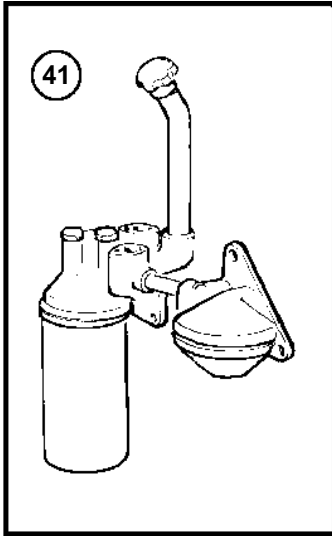


TD610V, TWD630VE



23379

TD610V, TWD630VE

REF	PART NO.	QTY	DESCRIPTION	SEE SEC.	NOTES
1	11030633	1	Oil pump		
				1378	
2	465899	2	Screw		
3	471513	4	Screw		M10x70mm
4	471734	2	Screw		M8x70mm
5	3827686	1	Suction pipe		(862212)
6	946173	2	Flange screw		
7	955274	1	Screw		
8	946048	1	Spacer washer		
9	949278	1	Lock nut		
10	955892	1	Washer		
11	3829332	1	Tube		(862223)
12	955894	2	Washer		
13	955312	1	Screw		
14	947611	1	Stud		
15	955782	1	Nut		
16	862214	1	Suction pipe		
17	955894	2	Washer		
18	955312	2	Screw		
19	849882	1	Bracket		
20	946440	2	Flange screw		
21	1161231	X	Sealant		
22	471588	2	Pressure pipe connec		
23	980786	2	Ferrule		
24	420996	1	Oil feed pipe		
25	980786	1	· Ferrule		
26	471956	2	· Sealing ring		
27	471595	1	· Pressure pipe connec		
28	471746	1	· Clamp		
29	862213	1	Oil feed pipe		
30	946440	1	Flange screw		
31	3826158	1	Oil reservoir		
32	946440	2	Flange screw		
33	847688	1	Oil pan		
34	11030778	1	Gasket		
35	20571854	1	Plug		
36	18813	1	Gasket		
37	946440	34	Flange screw		
38	3837267	1	Tube		
39	862446	1	Oil dipstick		
40	925054	1	· O-ring		
41		1	Oil filter housing	3239	
42		1	Oil cooler	3114	