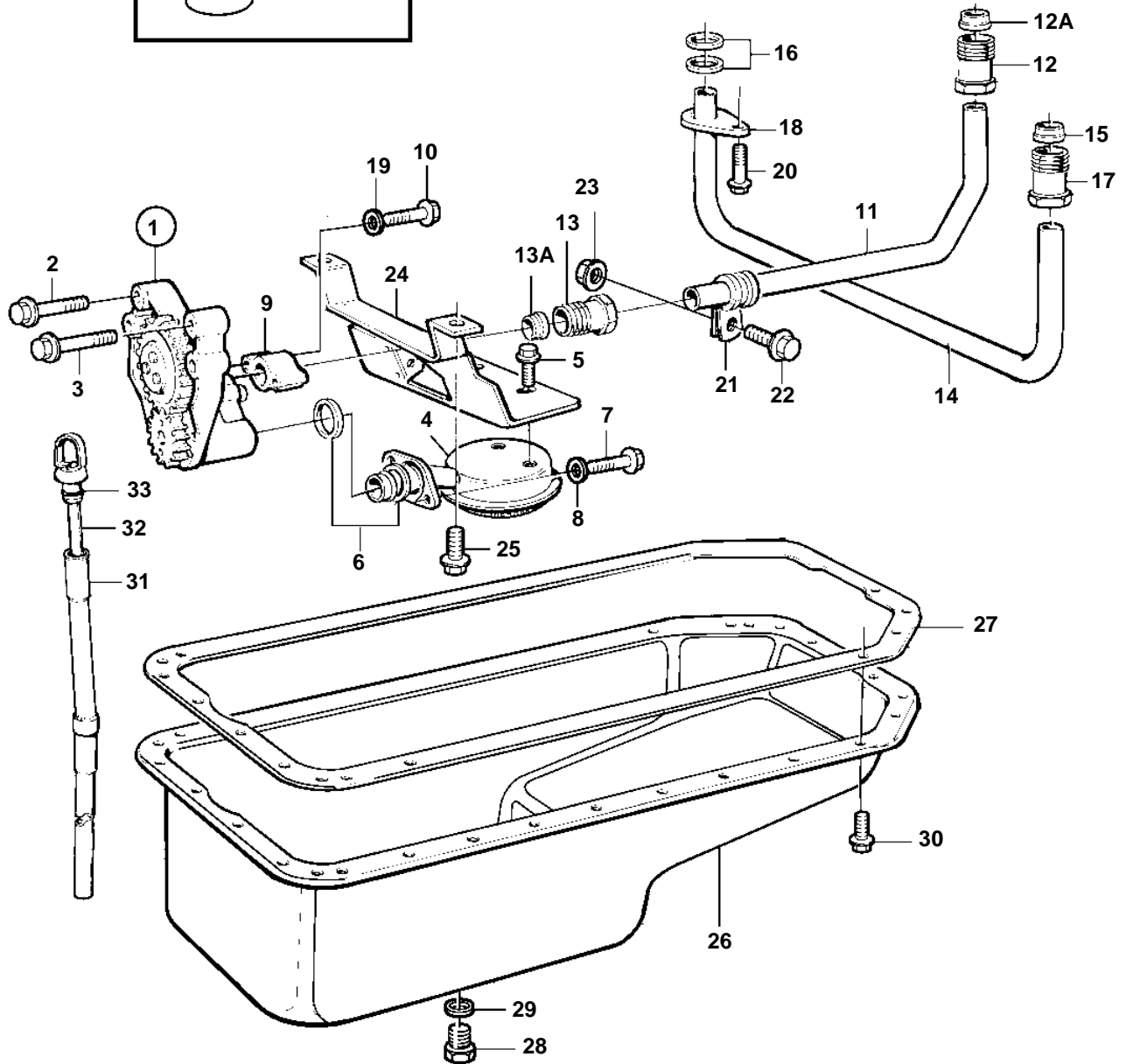
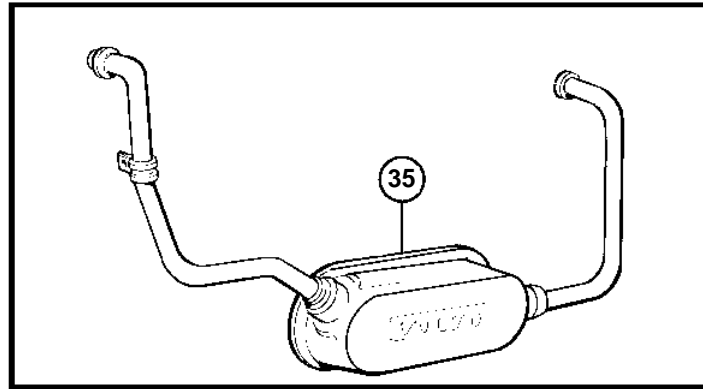
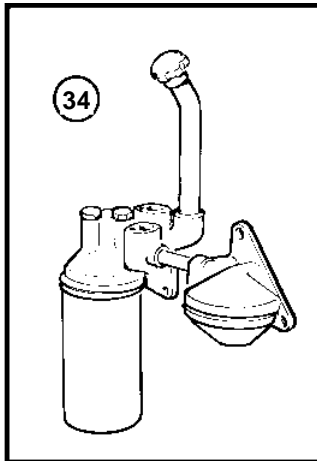


TWD630VE



TWD630VE

REF	PART NO.	QTY	DESCRIPTION	SEE SEC.	NOTES
1				1377	
				1377	
				1377	
	477547	1	Oil pump		
				1377	
2	471513	4	Screw		M10x70mm
3	471734	2	Screw		M8x70mm
4	848941	1	Oil pump screen		
5	946440	2	Flange screw		
6	470383	2	Sealing ring		
7	965183	2	Flange screw		M8x90mm
8	191172	2	Washer		
9	465846	1	Intermediate section		
10	969225	2	Flange screw		
11	420993	1	Oil feed pipe		
12	471595	1	· Pressure pipe connec		
12A	980786	1	· Ferrule		
13	471588	1	Pressure pipe connec		
13A	980786	1	Ferrule		
14	420996	1	Oil feed pipe		
15	980786	1	· Ferrule		
16	471956	2	· Sealing ring		
17	471588	1	· Pressure pipe connec		
18	471746	1	· Clamp		
19	191172	2	Washer		
20	946440	1	Flange screw		
21	1545433	1	Clamp		
22	946440	1	Flange screw		
23	945408	1	Flange nut		
24	848076	1	Baffle plate		
25	946440	2	Flange screw		
26	847688	1	Oil pan		
27	11030778	1	Gasket		
28	20571854	1	Plug		
29	18813	1	Gasket		
30	946440	34	Flange screw		
31	836179	1	Tube		
32	846872	1	Oil dipstick		
33	955982	1	O-ring		
34		1	Oil filter housing	3239	
35		1	Oil cooler	3114	