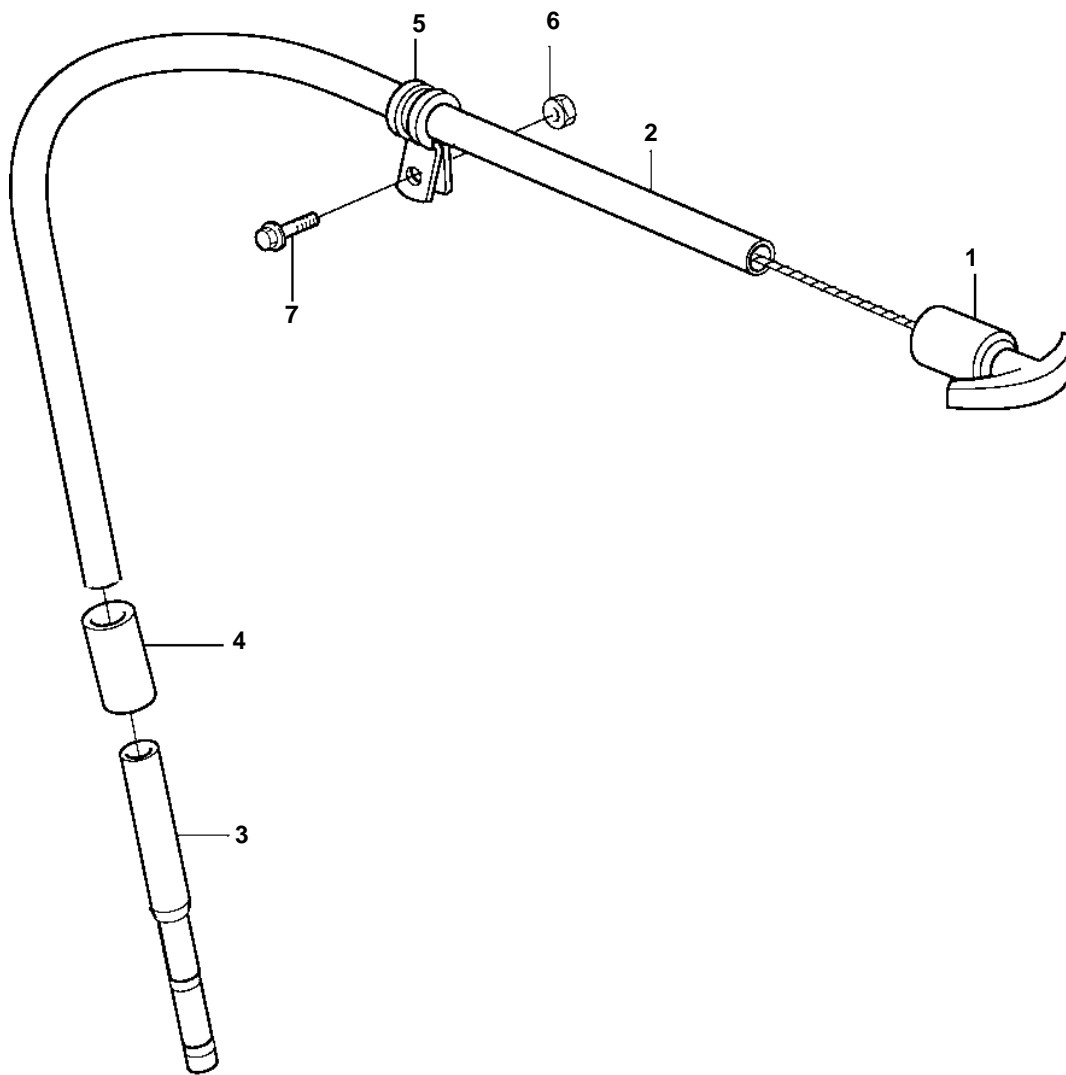
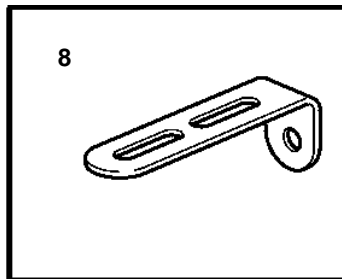


TD640VE



17708

TD640VE

REF	PART NO.	QTY	DESCRIPTION	NOTES
1	3829946	1	Dipstick	
	3829947	1	Dipstick	For lubricating system, 40° inclination, low sump
2	3829942	1	Tube	
3	479328	1	Pipe	
4	8149606	1	Hose	
5	949747	2	Clamp	
6	945408	2	Flange nut	
7	945444	2	Flange screw	
8	965558	1	Bracket	L=80mm
	965562	1	Bracket	L=110mm