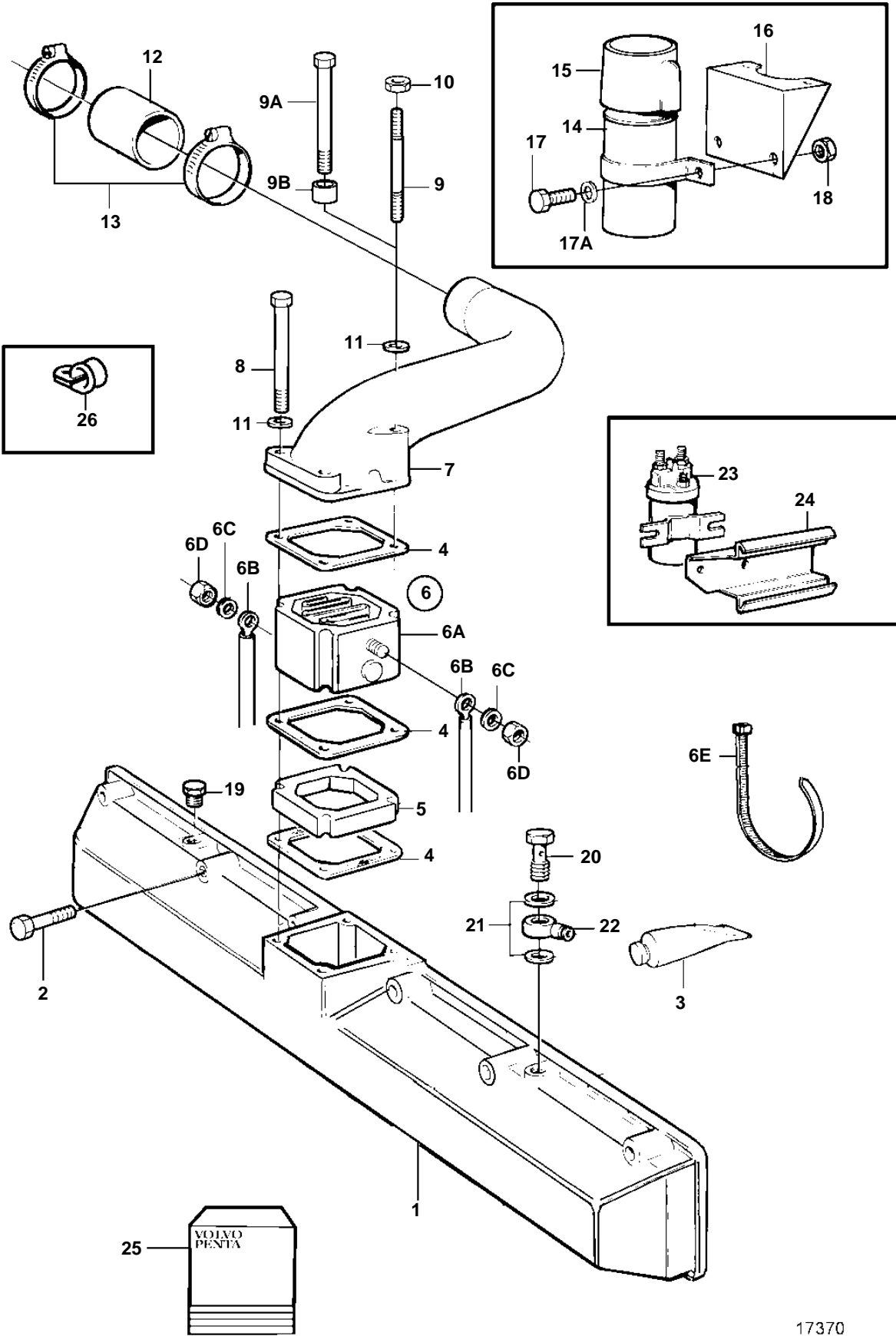


TD630VE



17370

TD630VE

REF	PART NO.	QTY	DESCRIPTION	NOTES
1	420509	1	Tube	
2	965180	12	Flange screw	
3	1161231	X	Sealant	
4	471682	3	Gasket	Included in gasket kit.
5	848534	1	Spacer	
6	863377	1	Starter element	12V
	848959	1	Starter heater kit	24V
6A		1	· Starter element	12V
6		1	· Starter element	24V
6B		2	· Cable	
6C	955894	2	· Washer	
6D	17624	2	· Nut	
6E	948211	3	Strip clamp	
7	465251	1	Tube	
8	955311	2	Screw	
9	942283	2	Stud	ALT
9A	968303	2	Screw	ALT
9B	847150	2	Spacer sleeve	ALT
10	946330	2	Nut	ALT
11	955894	4	Washer	
12	847385	1	Hose	
13	943479	2	Hose clamp	
14	873962	1	Relay	When replacing the relay, also install diod 873789., 24V 150A
15	1581123	1	Cover	
16	843400	1	Attaching plate	
17	969405	2	6 point socket screw	
17A	940090	2	Washer	
18	949874	2	Lock nut	
19	479979	1	Plug	
20	969299	1	Hollow screw	
21	11994	2	Gasket	
22		2	Nipple	SEE GROUP 23
23	872242	1	Relay	12V, ALT, When replacing the relay, also install diod 873789.
24	866463	1	Attaching plate	FOR 872242
25	876336	1	Gasket kit	SEE GROUP 99