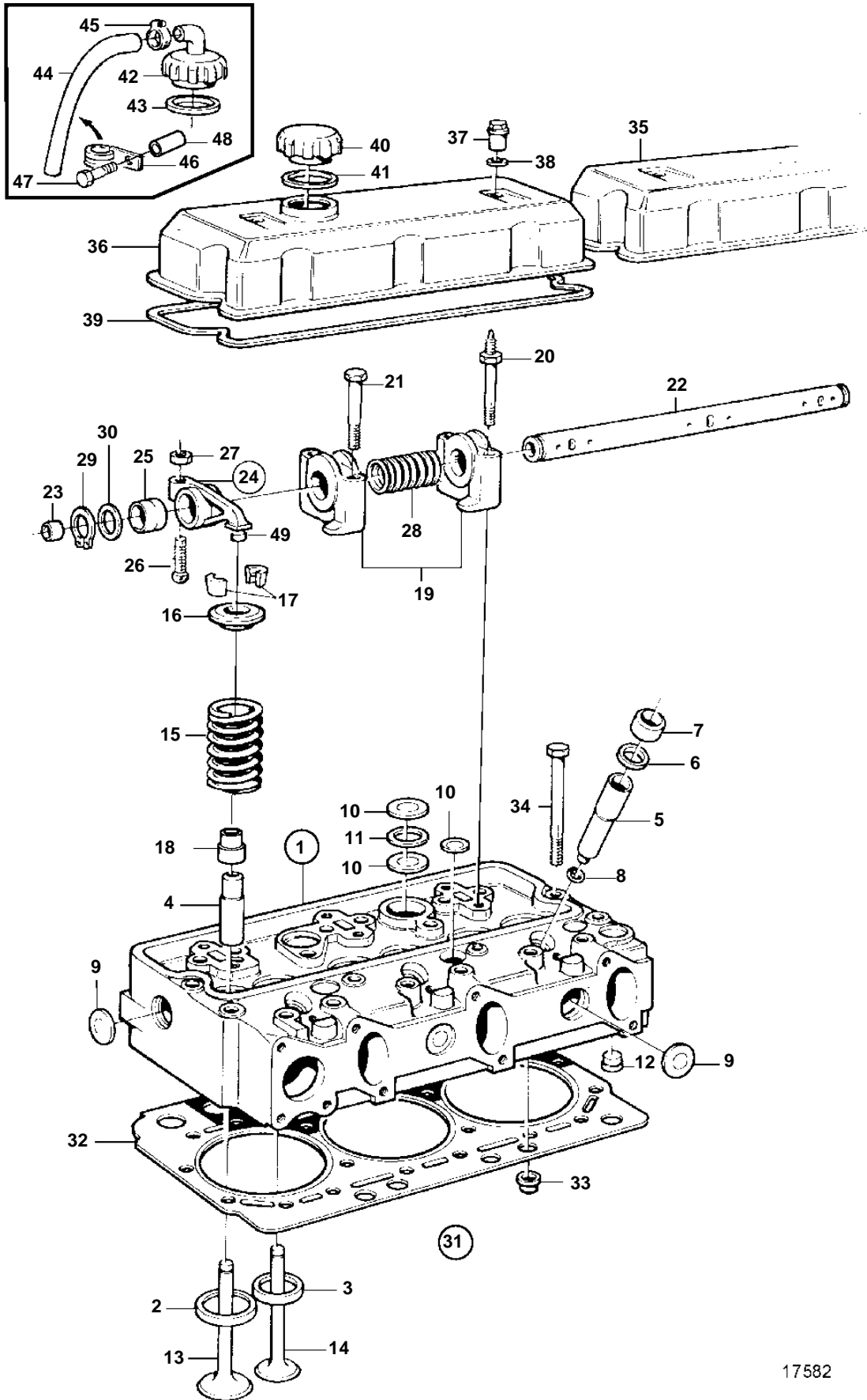


TD640VE



17582

TD640VE

REF	PART NO.	QTY	DESCRIPTION	NOTES
1	8192301	2	Cylinder head	E.U=3803551
	3803551	2	Cylinder head, exch, exch	E.U=3803551
2	420874	6	· Valve seat, intake	STD D
	420876	6	· Valve seat, intake	OVER SIZE
3	420875	6	· Valve seat, exhaust	STD D
	420877	6	· Valve seat, exhaust	OVER SIZE
4	477877	12	· Valve guide	(477792)
5	877094	6	· Copper sleeve kit	
6	466405	6	· · Rubber ring	
7	466420	6	· · Steel ring	
8	466922	6	· · O-ring	
9	477024	8	· Expansion plug	
10	477026	14	· Expansion plug	
11	947626	4	· Gasket	
12	465420	4	· Nozzle	
13	3825723	6	Inlet valve	
14	8192143	6	Exhaust valve	
15	465233	12	Valve spring	
16	465550	12	Washer	
17	1677875	24	Valve collet	
18	859171	12	Valve stem seal	
19	1665204	6	Bearing bracket	
20	471512	4	Stud	
21	471513	8	Screw	
22	465790	2	Rocker arm shaft	
23	955083	4	· Cap plug	
24	420132	6	Rocker arm, exhaust	
	420129	6	Rocker arm, intake	
25	420125	12	· Bushing	
26	422993	12	· Ball stud	
27	940175	12	· Nut	
28	411139	4	Spring	
29	914456	4	Lock ring	
30	400722	4	Washer	
31	276821	2	Gasket kit	(275774)
32		2	· Gasket	
33	465784	12	· Sealing ring	D=26mm
	466421	16	· Sealing ring	D=19mm
	422413	2	· Sealing ring	D=14mm
34	465840	40	Screw	
35	465951	X	Valve cover	Without hole for oil filler cap.
36	465950	X	Valve cover	With hole for oil filler cap.
37	465961	4	Nut	
38	471856	4	Sealing ring	
39	465952	2	Gasket	
40	421753	1	Oil filler cap	
41	1275379	1	Gasket	
42	3829571	1	Breather cap	For engine, 40° inclination.
43	1275379	1	Gasket	For engine, 40° inclination.
44	844508	1	Hose	For engine, 40° inclination.
45	943473	1	Hose clamp	For engine, 40° inclination.
46	952637	1	Clamp	For engine, 40° inclination.
47	965183	1	Flange screw	For engine, 40° inclination.
48	807425	1	Spacer sleeve	For engine, 40° inclination.
49	477449	12	Valve cap	