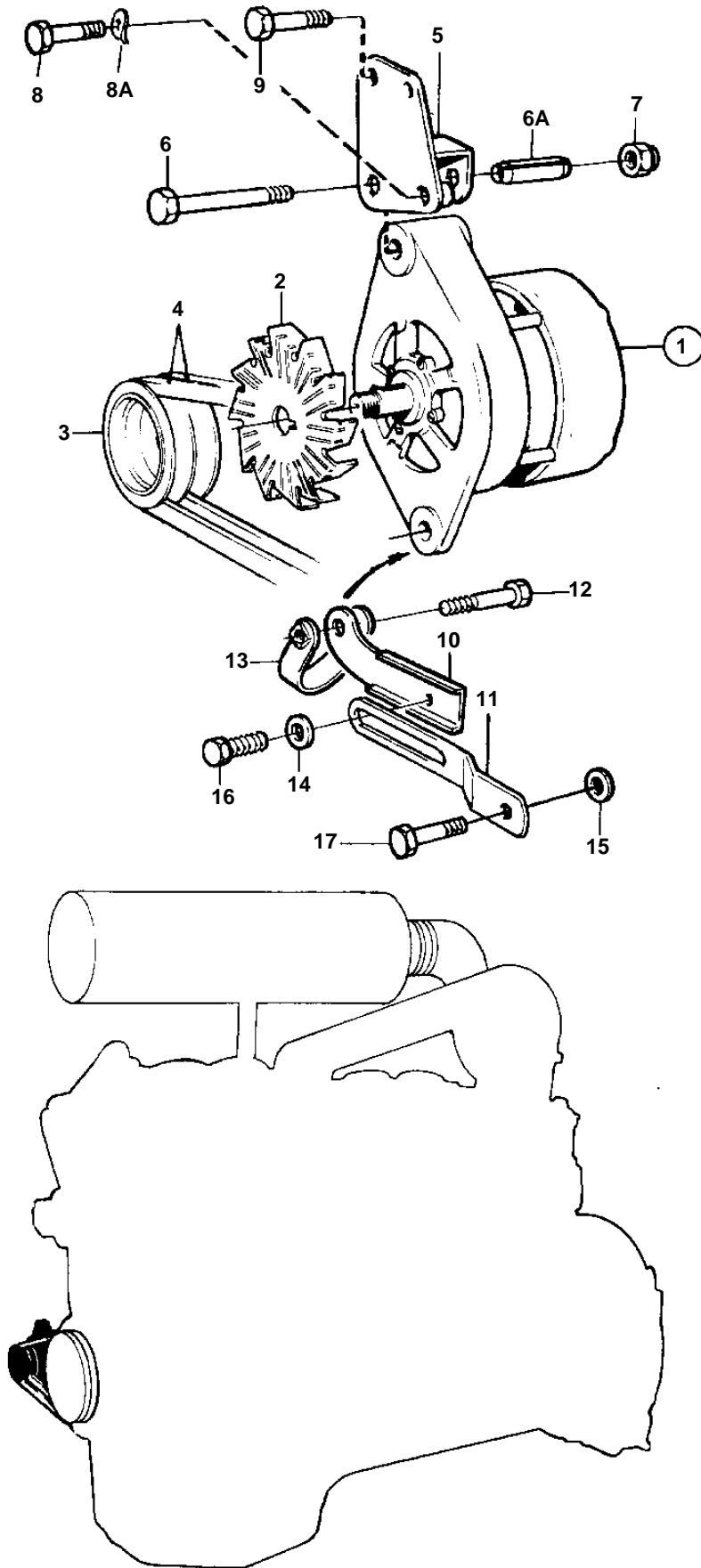


TD610V, TWD610V, TD630VE, TWD630VE



10473

TD610V, TWD610V, TD630VE, TWD630VE

REF	PART NO.	QTY	DESCRIPTION	SEE SEC.	NOTES
1	873771	1	Alternator		28V 60A
	3803443	1	Alternator,exch, exch		28V 60A
				4169	
2		1	Fan	3947	Included in alternator.
3	822573	1	Pulley		
4	966986	1	V-belt kit		L=2x1250mm
5	849354	1	Bracket		
6	955555	1	Screw		
6A	1610144	1	Pin		
7	950355	1	Nut		
8	970954	1	Screw		L=60mm
8A	941908	1	Spring washer		
9	946470	1	Flange screw		L=35mm
	965180	1	Flange screw		L=60mm
10	847956	1	Tensioner		
11	849295	1	Tensioner		
12	947760	1	Flange screw		
13	466734	1	Tensioning eyelet		
14	191172	1	Washer		
15	976944	2	Washer		(966674)
16	946173	1	Flange screw		
17	965183	1	Flange screw		