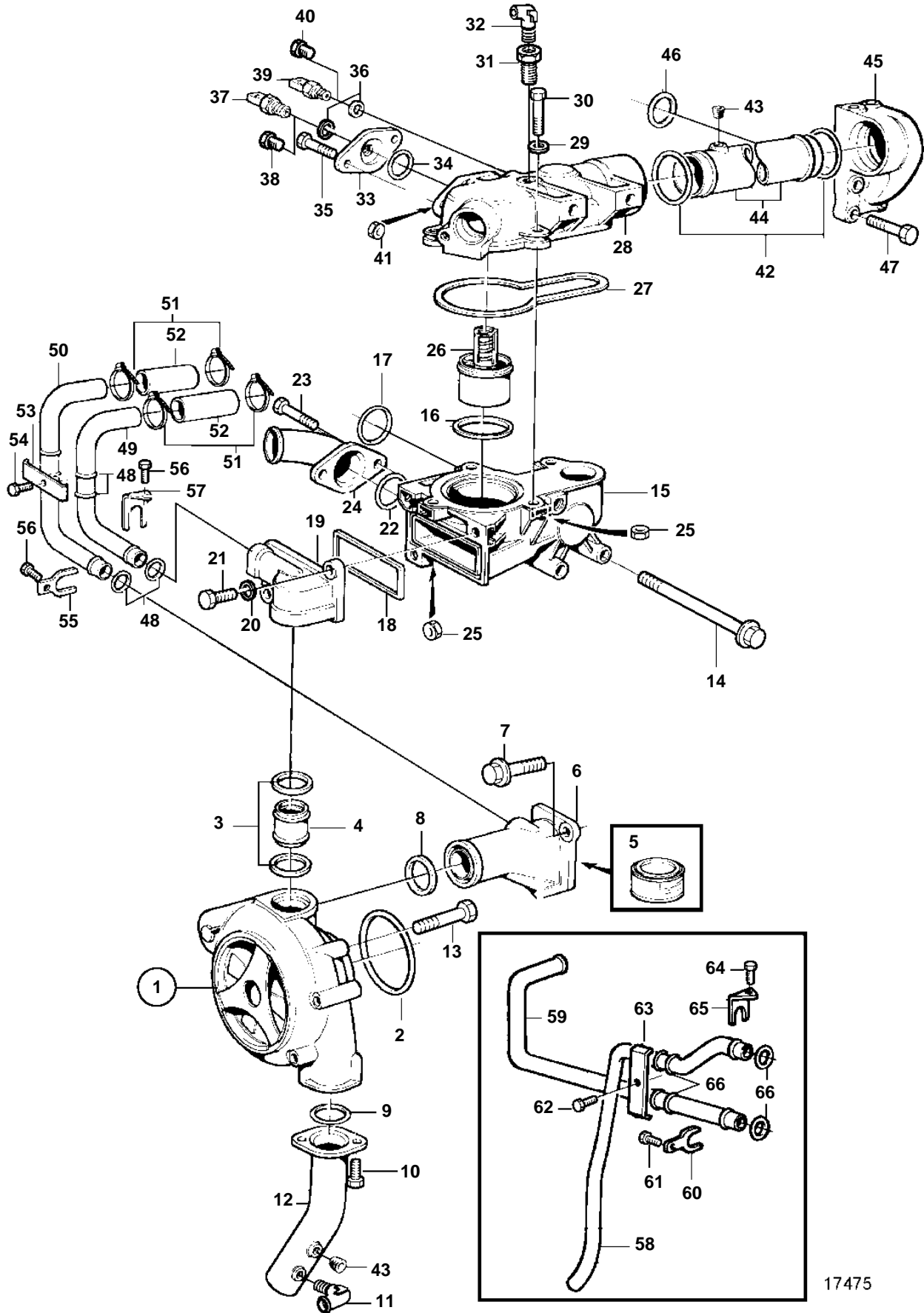


TWD610V, TWD630VE



17475

TWD610V, TWD630VE

REF	PART NO.	QTY	DESCRIPTION	SEE SEC.	NOTES
1	3183908	1	Circulation pump		REPL BY 20575653
				3098	
	20575653	1	Circulation pump		
	3803839	1	Circ. pump, exch, exch		
				10079	
2	967344	1	O-ring		
3	469982	2	Sealing ring		
4	465886	1	Tube		
5	1161231	X	Sealant		304ml
	1161277	X	Sealant		10g
6	465851	1	Spacer		
7	945444	2	Flange screw		
8	471629	1	Sealing ring		
9	925092	1	O-ring		
10	945444	2	Flange screw		
11	942649	1	Nipple		
12	848143	1	Coolant pipe		STD
	849645	1	Coolant pipe		Is used when crankshaft mounted fan is installed.
13	965190	4	Screw		
14	965189	3	Flange screw		
15	876628	1	Thermostat housing		Anodic treatment.
16	1544710	1	Sealing ring		
17	477059	1	O-ring		
18	471816	1	Sealing ring		
19	471822	1	Housing		
20	941907	2	Spring washer		
21	945444	2	Flange screw		
22	925092	1	O-ring		
23	945444	2	Flange screw		
24	848381	1	Water pipe		
25	955782	7	Nut		
26	3839110	1	Thermostat		75°C BLUE
27	471788	1	Sealing ring		
28	420968	1	Cover		FOR TWD610V
	477905	1	Cover		FOR TWD630VE
29	941907	4	Spring washer		
30	946470	4	Flange screw		
31	862109	1	Nipple		
32	479953	1	Elbow nipple		
33	3830530	1	Flange		
34	469477	1	O-ring		
35	945444	2	Flange screw		
36	11998	2	Gasket		
37		1	Temperature sensor		SEE GROUP 30
38	960632	1	Plug		ALT
39		1	Temperature contact		SEE GROUP 30
40	960632	1	Plug		ALT
41	955782	2	Nut		
42	469982	2	Sealing ring		
43	479977	2	Plug		
44	848655	1	Tube		
45	465911	1	Tube		
46	477059	1	O-ring		
47	965186	1	Flange screw		L=50mm
	965220	2	Flange screw		L=45mm
48	471626	4	Sealing ring		
49	847867	1	Coolant pipe		Thermostat housing-charger air cooler.
	865817	1	Coolant pipe		Is used when compressor is installed., Thermostat housing-charger air cooler.
50	862617	1	Coolant pipe		Water pump-charge air cooler.
	865815	1	Coolant pipe		Water pump-charge air cooler., Is used when compressor is installed.

TWD610V, TWD630VE

REF	PART NO.	QTY	DESCRIPTION	SEE SEC.	NOTES
51	943473	4	Hose clamp		
52	952969	2	Rubber hose		L=75mm
53	849059	1	Clamp		
54	965194	1	Screw		
55	849110	1	Brace		
56	967949	2	Screw		(965175)
57	849397	1	Bracket		
58	862545	1	Coolant pipe		For engines with oil tube cooler., TWD610V
59	862617	1	Coolant pipe		Water pump-charge air cooler., For engines with oil tube cooler., TWD610V
60	421654	1	Clamp		TWD610V, For engines with oil tube cooler.
61	967949	1	Screw		TWD610V, For engines with oil tube cooler.
62	965194	1	Screw		TWD610V, For engines with oil tube cooler.
63	849059	1	Clamp		TWD610V, For engines with oil tube cooler.
64	946470	1	Flange screw		For engines with oil tube cooler., TWD610V
65	849397	1	Bracket		TWD610V, For engines with oil tube cooler.
66	471626	6	Sealing ring		For engines with oil tube cooler., TWD610V