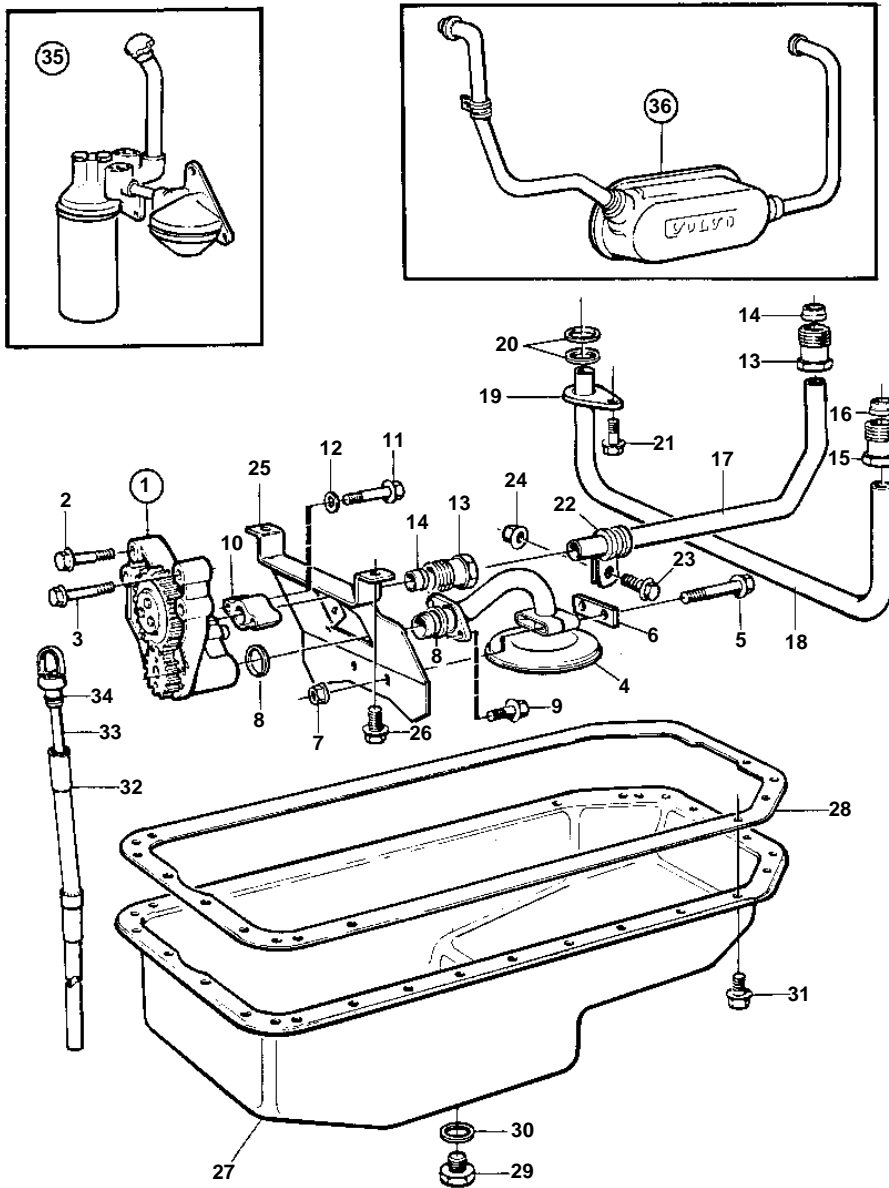


TD730ME, TWD730ME, TWD731ME



15696

TD730ME, TWD730ME, TWD731ME

REF	PART NO.	QTY	DESCRIPTION	SEE SEC.	NOTES
1	477547	1	Oil pump		
				1378	
2	471513	4	Screw		M10x70mm
3	471734	2	Screw		M8x70mm
4	848586	1	Suction pipe		
5	965218	2	Screw		
6	421750	1	Washer		
7	945408	2	Flange nut		
8	470383	2	Sealing ring		
9	965183	2	Flange screw		
10	465846	1	Intermediate section		
11	968553	2	Screw		
12	941907	2	Spring washer		
13	471588	2	Pressure pipe connec		
14	956972	2	Ferrule		
15	471588	1	Pressure pipe connec		
16	956972	1	Ferrule		
17	477947	1	Pipe		(471587)
18	420996	1	Oil feed pipe, piston cooling		(471594)
19	471746	1	· Clamp		
20	471956	2	· Sealing ring		
21	946440	1	Flange screw		
22	1545433	1	Clamp		
23	946440	1	Flange screw		
24	945408	1	Flange nut		
25	848588	1	Baffle plate		
26	946440	2	Flange screw		
27	11030522	1	Oil pan		(M24)
28	11030779	1	Gasket		(865342)
29	949175	1	Magnetic plug		(M24)
30	18813	1	Gasket		(M24)
31	946440	36	Flange screw		
32	848700	1	Tube		
33	863797	1	Oil dipstick		For measuring of oil level when running.
34	925054	1	· O-ring		
35		1	Oil filter housing	1371	
36		1	Oil cooler	1376	