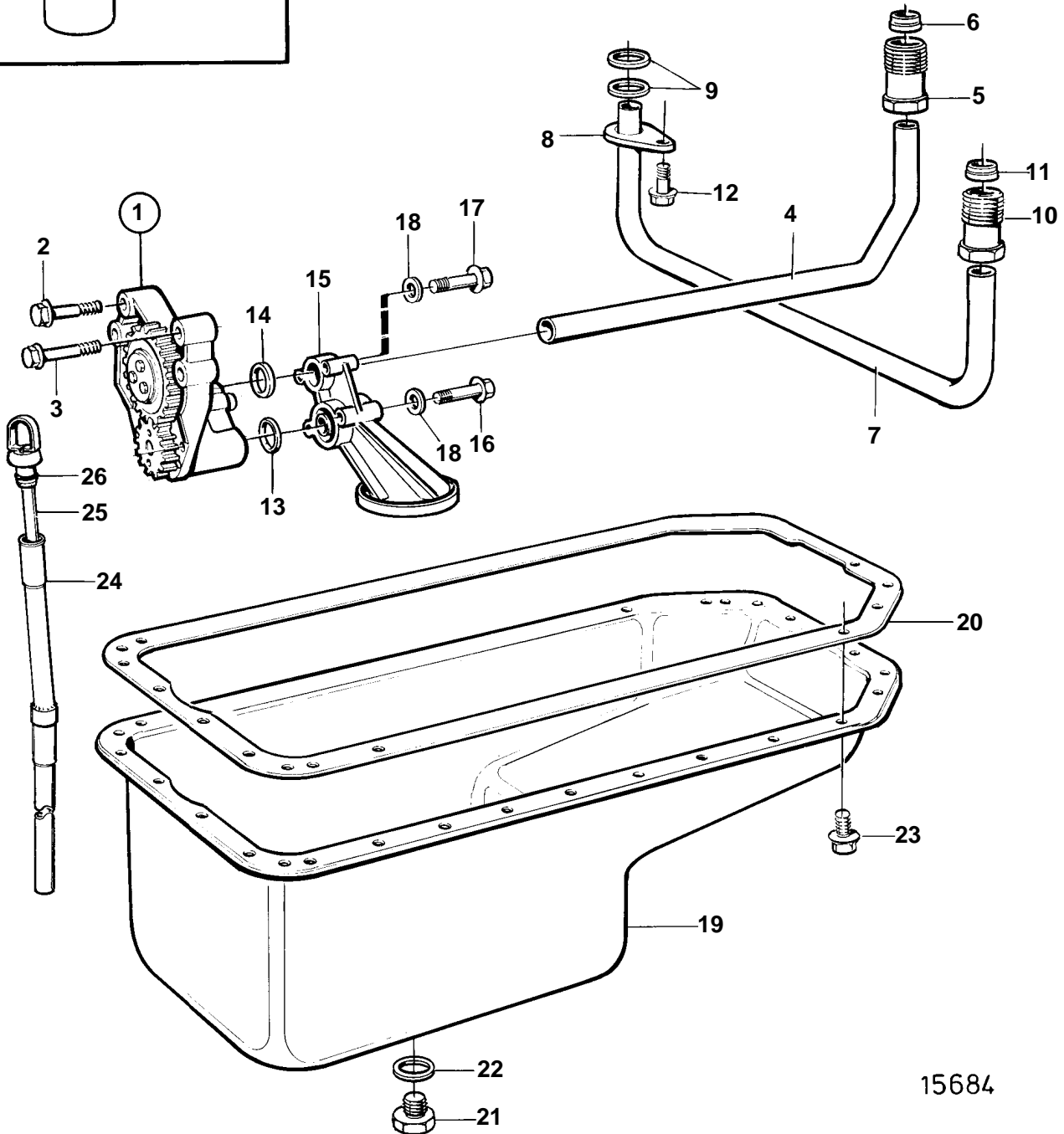
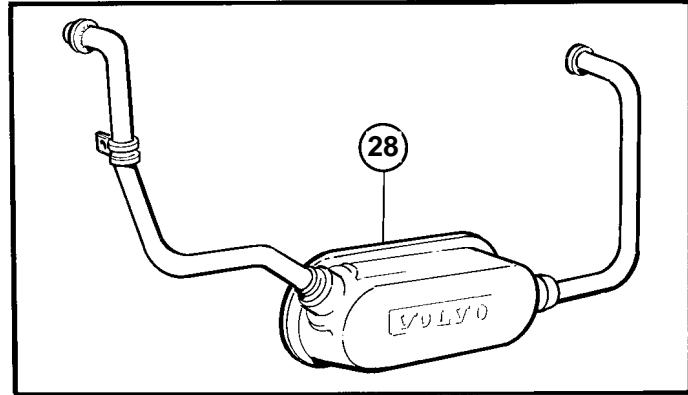
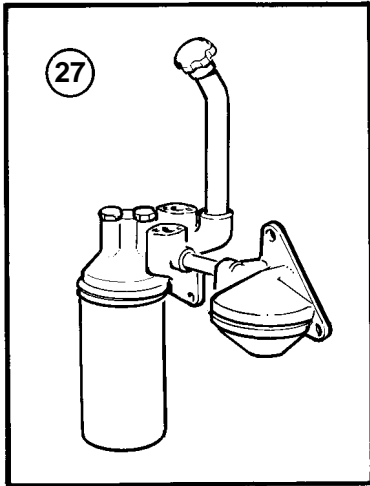


TD610M



15684

TD610M

REF	PART NO.	QTY	DESCRIPTION	SEE SEC.	NOTES
1	420867	1	Oil pump		
				1377	
				1377	
2	471513	4	Screw		M10x70mm
3	471734	2	Screw		M8x70mm
4	420993	1	Oil feed pipe		(465845)
5	471588	1	· Pressure pipe connec		
6	956972	1	· Ferrule		
7	420996	1	Oil feed pipe		
8	471746	1	· Clamp		
9	471956	2	· Sealing ring		
10	471588	1	Pressure pipe connec		FOR 420996
11	956972	1	Ferrule		FOR 420996
12	946440	1	Flange screw		
13	949659	1	O-ring		
14	471956	1	Sealing ring		
15	420725	1	Oil pump screen		
16	969225	2	Flange screw		L=120mm
17	965184	2	Screw		L=100mm
18	955894	4	Washer		
19	465622	1	Oil pan		
20	11030778	1	Gasket		(865341)
21	949175	1	Magnetic plug		
22	18813	1	Gasket		
23	946440	34	Flange screw		
24	848700	1	Tube		Oil dipstick mounted on right side.
	862055	1	Tube		Oil dipstick mounted on left side.
25	863797	1	Oil dipstick		Oil dipstick mounted on right side.
	862197	1	Oil dipstick		Oil dipstick mounted on left side.
26	925054	1	· O-ring		FOR 863797
	955984	1	· Sealing ring		FOR 862197
27		1	Oil filter housing	1367	
28		1	Oil cooler	1376	