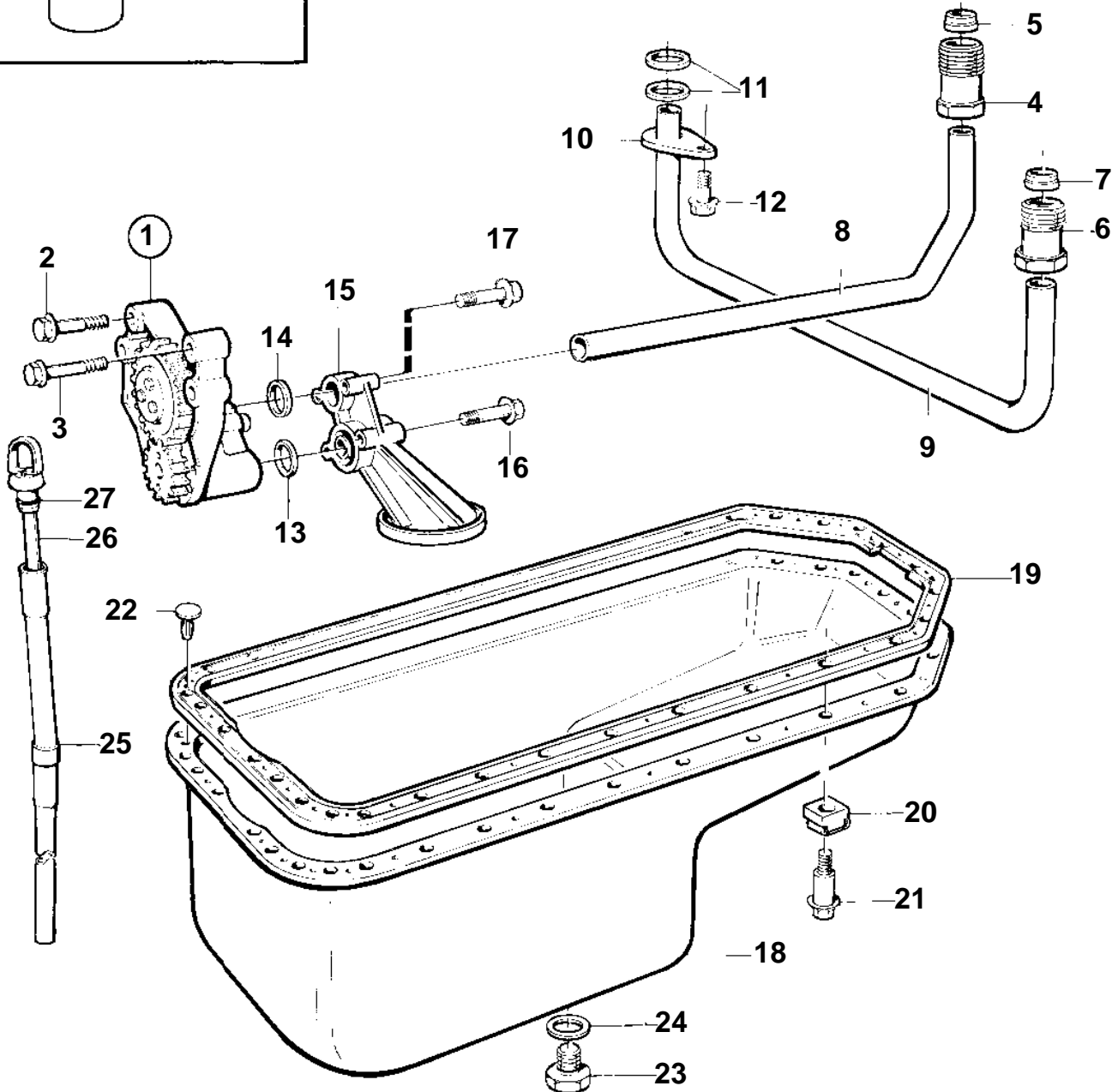
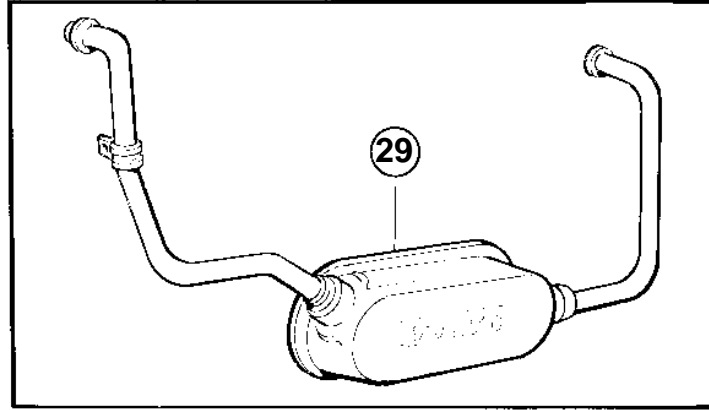
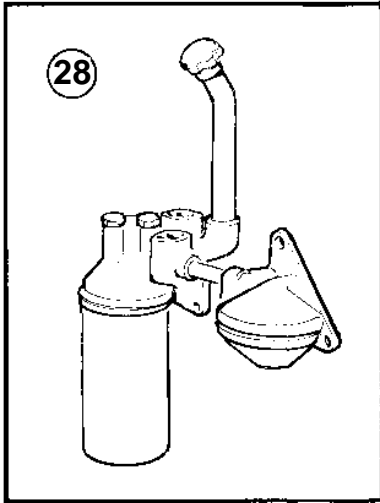


TD630ME



15694

TD630ME

REF	PART NO.	QTY	DESCRIPTION	SEE SEC.	NOTES
1	420867	1	Oil pump		
				1377	
				1377	
2	471513	4	Screw		M10x70mm
3	471734	2	Screw		M8x70mm
4	471588	1	Pressure pipe connec		
5	956972	1	Ferrule		
6	471588	1	Pressure pipe connec		
7	956972	1	Ferrule		
8	420993	1	Oil feed pipe		(465845)
9	420996	1	Oil feed pipe		(471594), In combination with oil cooler.
10	471746	1	· Clamp		
11	471956	2	· Sealing ring		
12	946440	1	Flange screw		
13	949659	1	O-ring		
14	471956	1	Sealing ring		
15	420725	1	Oil pump screen		
16	969225	2	Flange screw		
17	965184	2	Screw		
18	420738	1	Oil pan		
19	420941	1	Gasket		
20	420991	34	Rubber cushion		(479491)
21	1556083	34	Screw		
22	943353	20	Rivet		
23	949175	1	Magnetic plug		
24	18813	1	Gasket		
25	848700	1	Tube		
26	863797	1	Oil dipstick		
27	925054	1	· O-ring		
28		1	Oil filter housing	1367	
29		1	Oil cooler	1376	