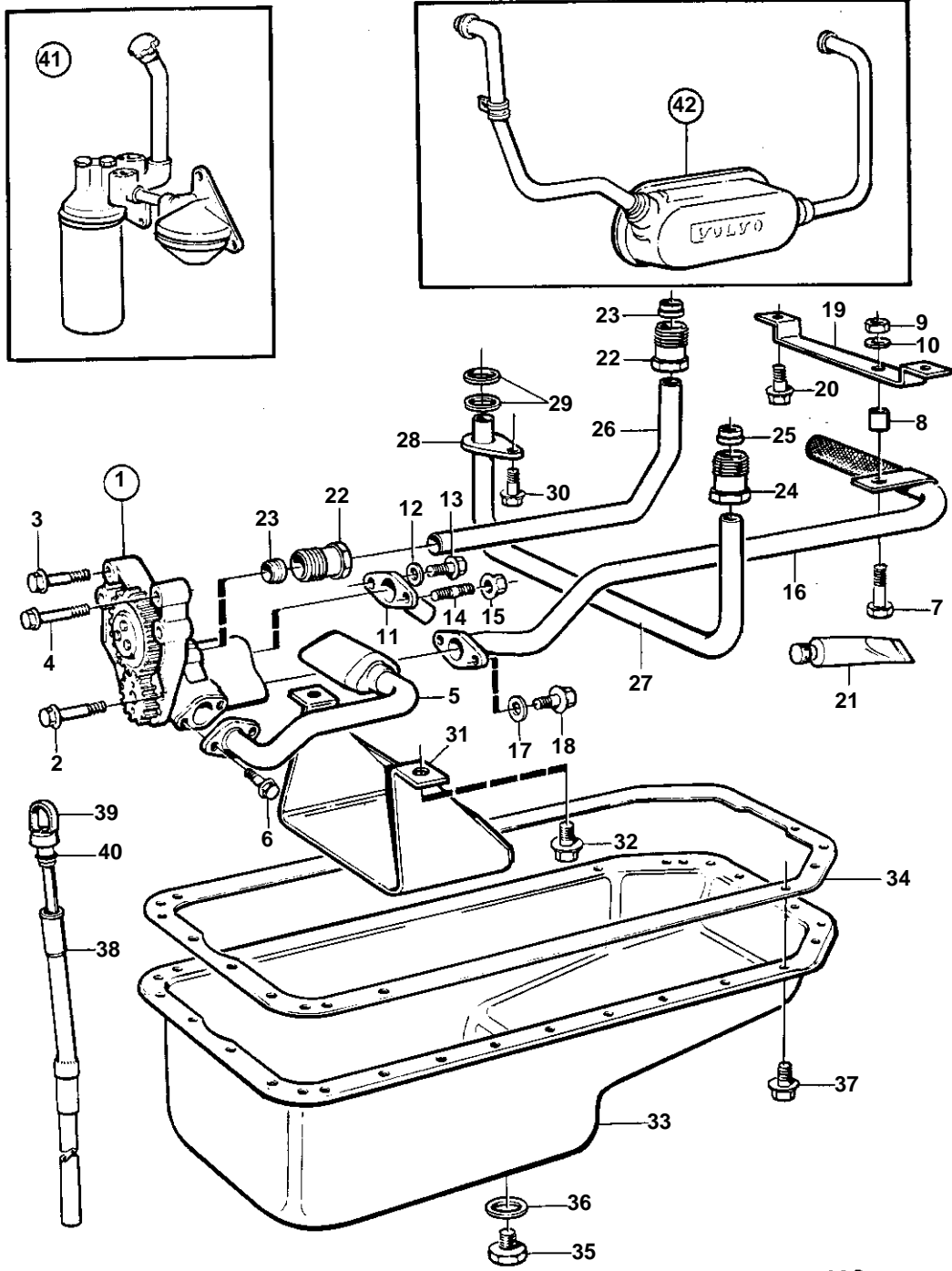


TD730ME, TWD730ME, TWD731ME



15698

TD730ME, TWD730ME, TWD731ME

REF	PART NO.	QTY	DESCRIPTION	SEE SEC.	NOTES
1	11030633	1	Oil pump		
				1378	
2	465899	2	Screw		M10x70mm
3	471513	4	Screw		M8x70mm
4	471734	2	Screw		
5	862212	1	Suction pipe		
6	946173	2	Flange screw		
7	955274	1	Screw		
8	946048	1	Spacer washer		(842350)
9	949278	1	Lock nut		
10	955892	1	Washer		
11	862223	1	Tube		
12	955894	2	Washer		
13	955312	1	Screw		
14	947611	1	Stud		
15	955782	1	Nut		
16	3827823	1	Suction pipe		
17	955894	2	Washer		
18	955312	2	Screw		
19	849883	1	Bracket		
20	946440	2	Flange screw		
21	1161231	X	Sealant		
22	471588	2	Pressure pipe connec		
23	956972	2	Ferrule		
24	471588	1	Pressure pipe connec		
25	956972	1	Ferrule		
26	862224	1	Oil feed pipe		
27	420996	1	Oil feed pipe, piston cooling		(471594)
28	471746	1	· Clamp		
29	471956	2	· Sealing ring		
30	946440	1	Flange screw		
31	3826158	1	Oil reservoir		(862216)
32	946440	2	Flange screw		
33	847689	1	Oil pan		
34	11030779	1	Gasket		(865342)
35	198	1	Screw		
36	18813	1	Gasket		
37	946440	36	Flange screw		
38	848700	1	Tube		
39	862446	1	Oil dipstick		
40	925054	1	· O-ring		
41		1	Oil filter housing	1371	
42		1	Oil cooler	1376	