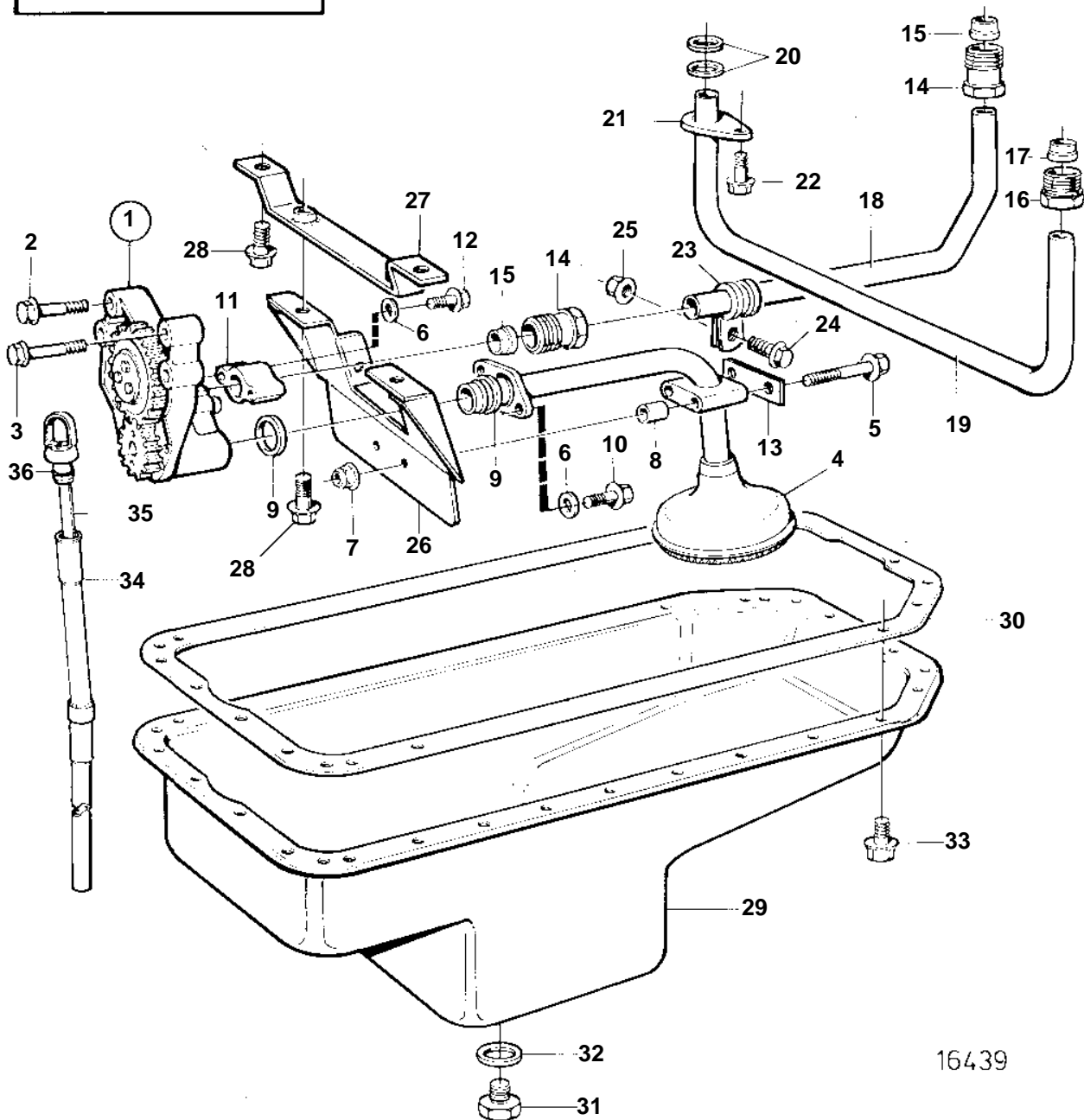
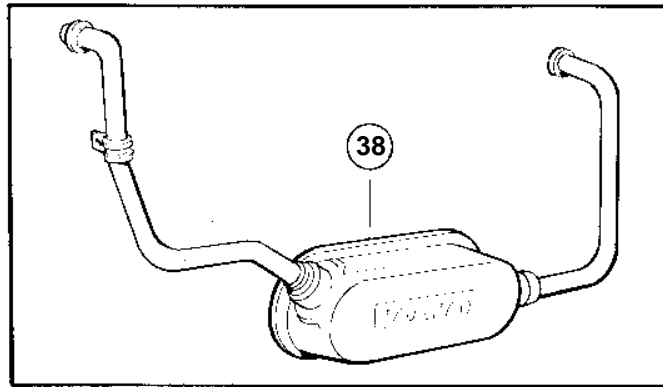
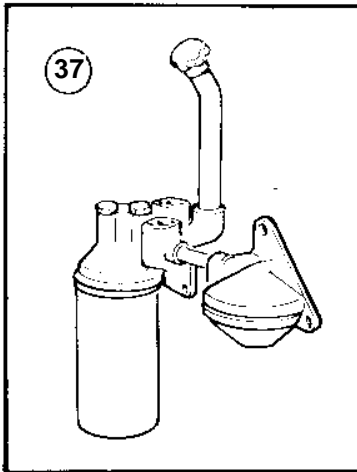


TD630ME



16439

TD630ME

REF	PART NO.	QTY	DESCRIPTION	SEE SEC.	NOTES
1	420867	1	Oil pump		
				1377	
				1377	
2	471513	4	Screw		M10x70mm
3	471734	2	Screw		M8x70mm
4	4772092	1	Suction pipe		
5	965218	2	Screw		L=75mm
6	191172	4	Washer		(955894)
7	946036	2	Lock nut		
9	470383	2	Sealing ring		
10	965182	2	Flange screw		L=80mm
11	465846	1	Intermediate section		
12	973080	2	Screw		L=110mm
13	421750	1	Washer		
14	471588	2	Pressure pipe connec		
15	956972	2	Ferrule		
16	471595	1	Pressure pipe connec		
17	956972	1	Ferrule		
18	420993	1	Oil feed pipe		(465845)
19	4772187	1	Oil feed pipe		In combination with oil cooler.
20	471956	2	Sealing ring		
21	471746	1	Clamp		
22	946440	1	Flange screw		
23	1545433	1	Clamp		
24	946440	1	Flange screw		
25	945408	1	Flange nut		
26	4772097	1	Baffle plate		
27	4772098	1	Bracket		
28	946440	4	Flange screw		
29	4772139	1	Oil pan		
30	11030778	1	Gasket		(865341)
31	949175	1	Magnetic plug		
32	18813	1	Gasket		
33	946440	34	Flange screw		
34	848700	1	Tube		
35	849605	1	Oil dipstick		
36	925054	1	· O-ring		
37		1	Oil filter housing	1367	
38		1	Oil cooler	1376	