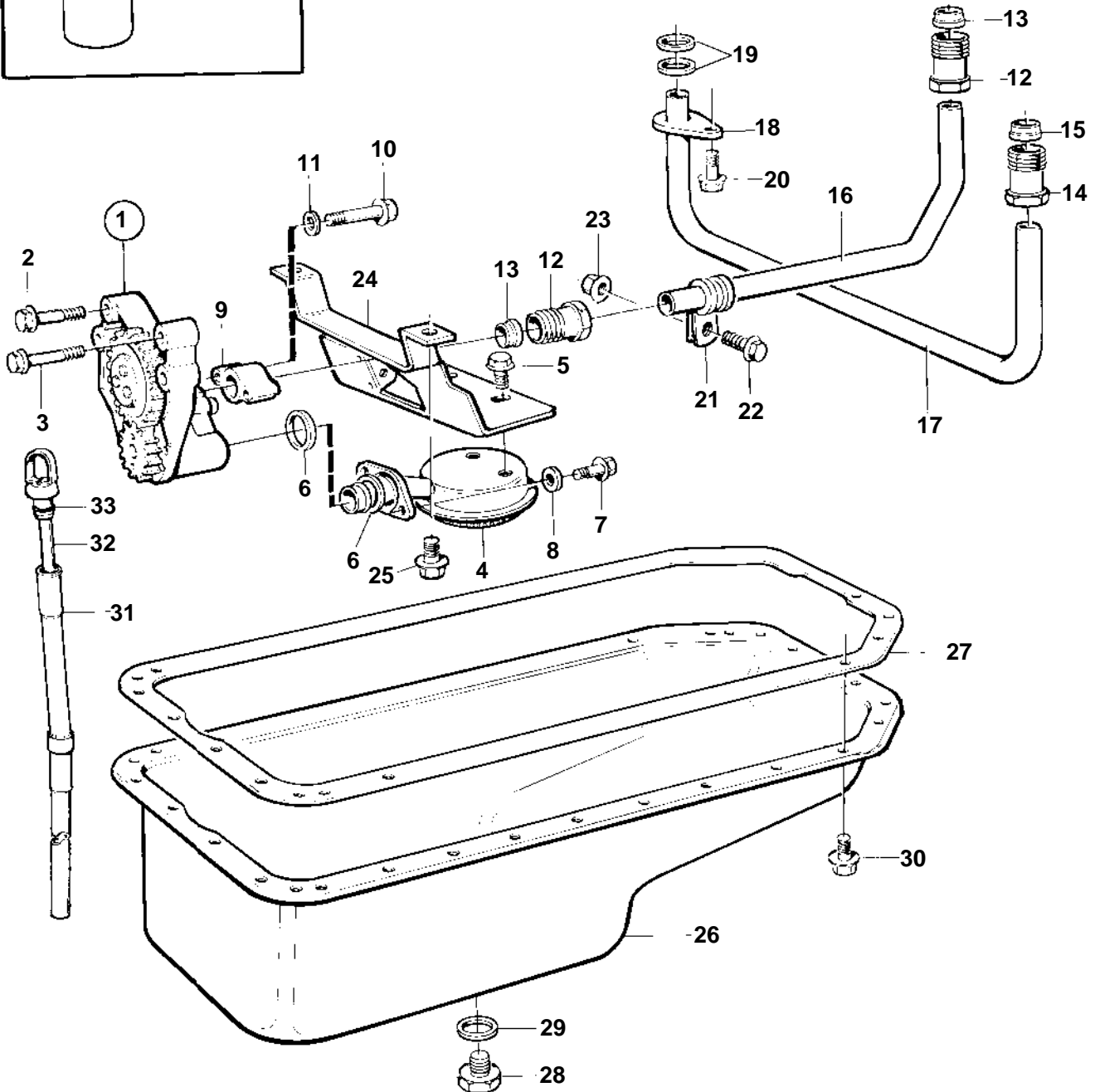
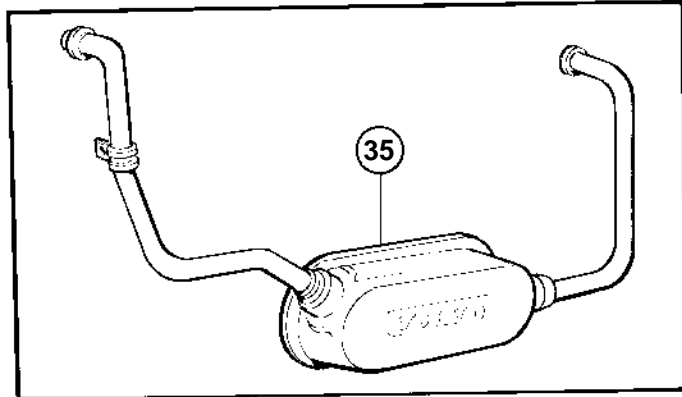
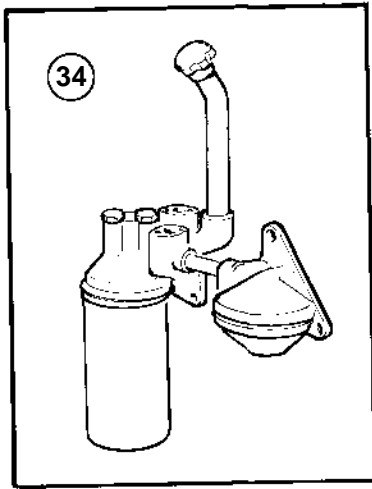


TD730ME, TWD730ME, TWD731ME



15697

TD730ME, TWD730ME, TWD731ME

REF	PART NO.	QTY	DESCRIPTION	SEE SEC.	NOTES
1	477547	1	Oil pump		
				1377	
2	471513	4	Screw		M10x70mm
3	471734	2	Screw		M8x70mm
4	848941	1	Oil pump screen		
5	946440	2	Flange screw		
6	470383	2	Sealing ring		
7	965183	2	Flange screw		
8	955894	2	Washer		
9	465846	1	Intermediate section		
10	968553	2	Screw		
11	941907	2	Spring washer		
12	471588	2	Pressure pipe connec		
13	956972	2	Ferrule		
14	471588	1	Pressure pipe connec		
15	956972	1	Ferrule		
16	477947	1	Pipe		(471587)
17	420996	1	Oil feed pipe, piston cooling		(471594)
18	471746	1	· Clamp		
19	471956	2	· Sealing ring		
20	946440	1	Flange screw		
21	1545433	1	Clamp		
22	946440	1	Flange screw		
23	945408	1	Flange nut		
24	848076	1	Baffle plate		
25	946440	2	Flange screw		
26	847689	1	Oil pan		
27	11030779	1	Gasket		(865342)
28	198	1	Screw		
29	18813	1	Gasket		
30	946440	36	Flange screw		
31	848700	1	Tube		
32	863797	1	Oil dipstick		
33	925054	1	· O-ring		
34		1	Oil filter housing	1371	
35		1	Oil cooler	1376	