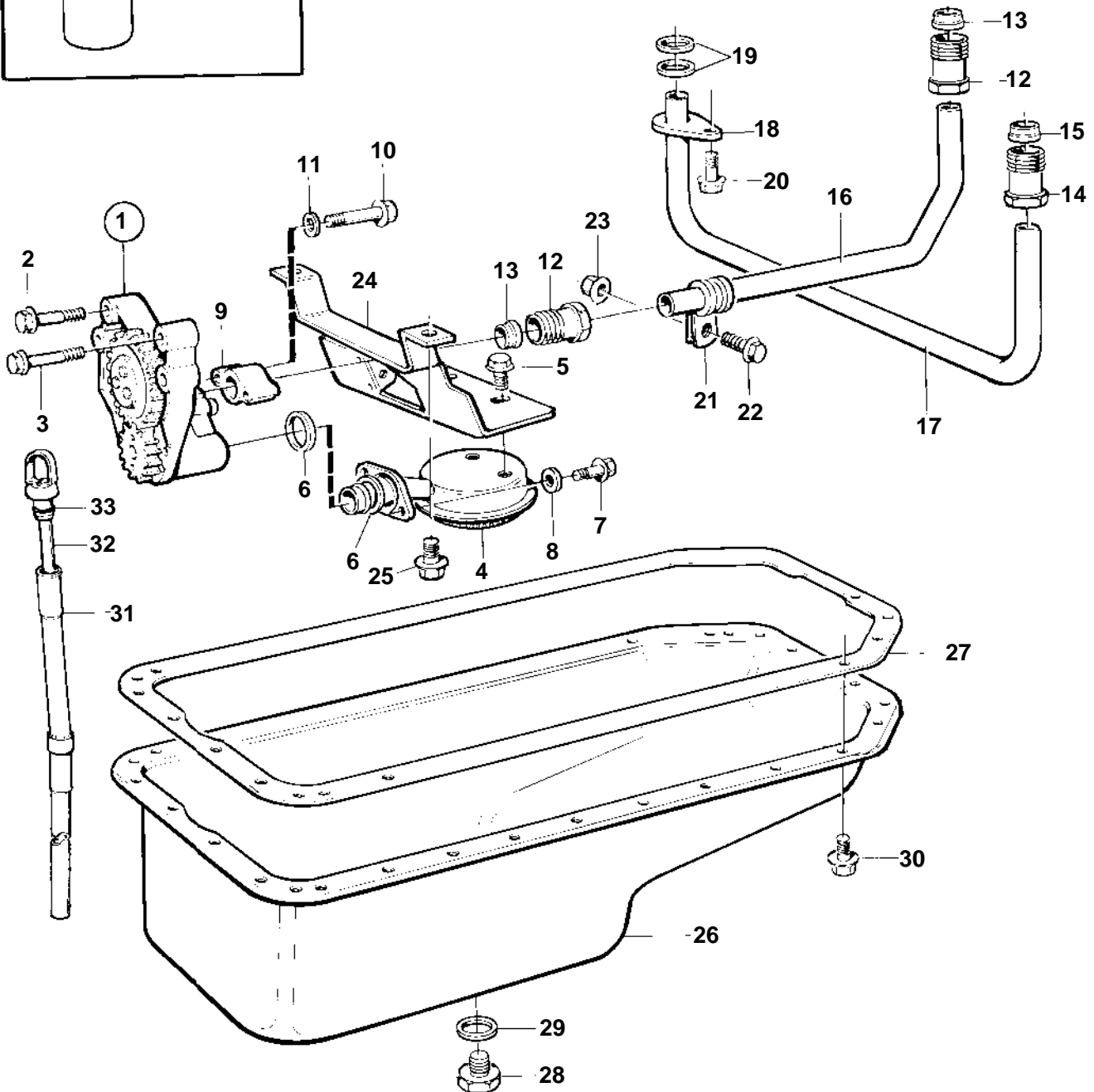
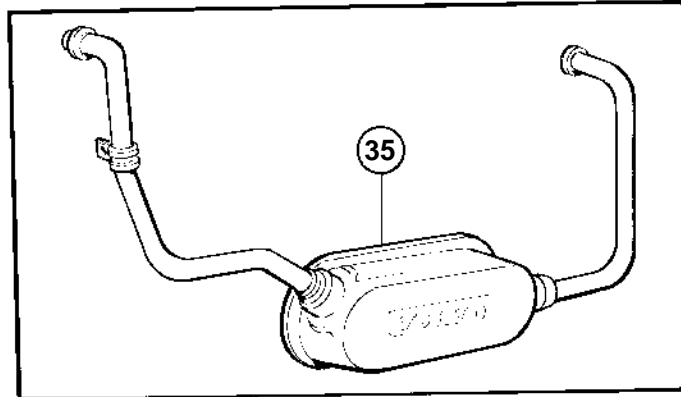
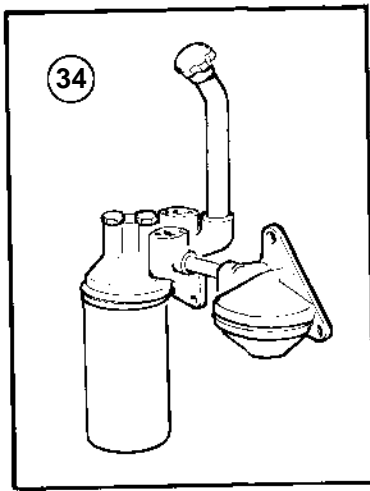


TD630ME



15697

TD630ME

| REF | PART NO. | QTY | DESCRIPTION | SEE SEC. | NOTES |
|-----|----------|-----|----------------------|----------|---|
| 1 | 420867 | 1 | Oil pump | | |
| | | | | 1377 | |
| | | | | 1377 | |
| 2 | 471513 | 4 | Screw | | M10x70mm |
| 3 | 471734 | 2 | Screw | | M8x70mm |
| 4 | 848941 | 1 | Oil pump screen | | |
| 5 | 946440 | 2 | Flange screw | | |
| 6 | 470383 | 2 | Sealing ring | | |
| 7 | 965182 | 2 | Flange screw | | M8x80mm |
| 8 | 191172 | 2 | Washer | | |
| 9 | 465846 | 1 | Intermediate section | | |
| 10 | 973080 | 2 | Screw | | |
| 11 | 191172 | 2 | Washer | | |
| 12 | 471588 | 2 | Pressure pipe connec | | |
| 13 | 956972 | 2 | Ferrule | | |
| 14 | 471588 | 1 | Pressure pipe connec | | |
| 15 | 956972 | 1 | Ferrule | | |
| 16 | 420994 | 1 | Oil feed pipe | | (864765) |
| 17 | 420996 | 1 | Oil feed pipe | | (471594), In combination with oil cooler. |
| 18 | 471746 | 1 | · Clamp | | |
| 19 | 471956 | 2 | · Sealing ring | | |
| 20 | 946440 | 1 | Flange screw | | |
| 21 | 1545433 | 1 | Clamp | | |
| 22 | 946440 | 1 | Flange screw | | |
| 23 | 945408 | 1 | Flange nut | | |
| 24 | 848076 | 1 | Baffle plate | | |
| 25 | 946440 | 2 | Flange screw | | |
| 26 | 847688 | 1 | Oil pan | | |
| 27 | 11030778 | 1 | Gasket | | (865341) |
| 28 | 949175 | 1 | Magnetic plug | | |
| 29 | 18813 | 1 | Gasket | | |
| 30 | 946440 | 34 | Flange screw | | |
| 31 | 836179 | 1 | Tube | | |
| 32 | 846872 | 1 | Oil dipstick | | |
| 33 | 955982 | 1 | O-ring | | |
| 34 | | 1 | Oil filter housing | 1367 | |
| 35 | | 1 | Oil cooler | 1376 | |