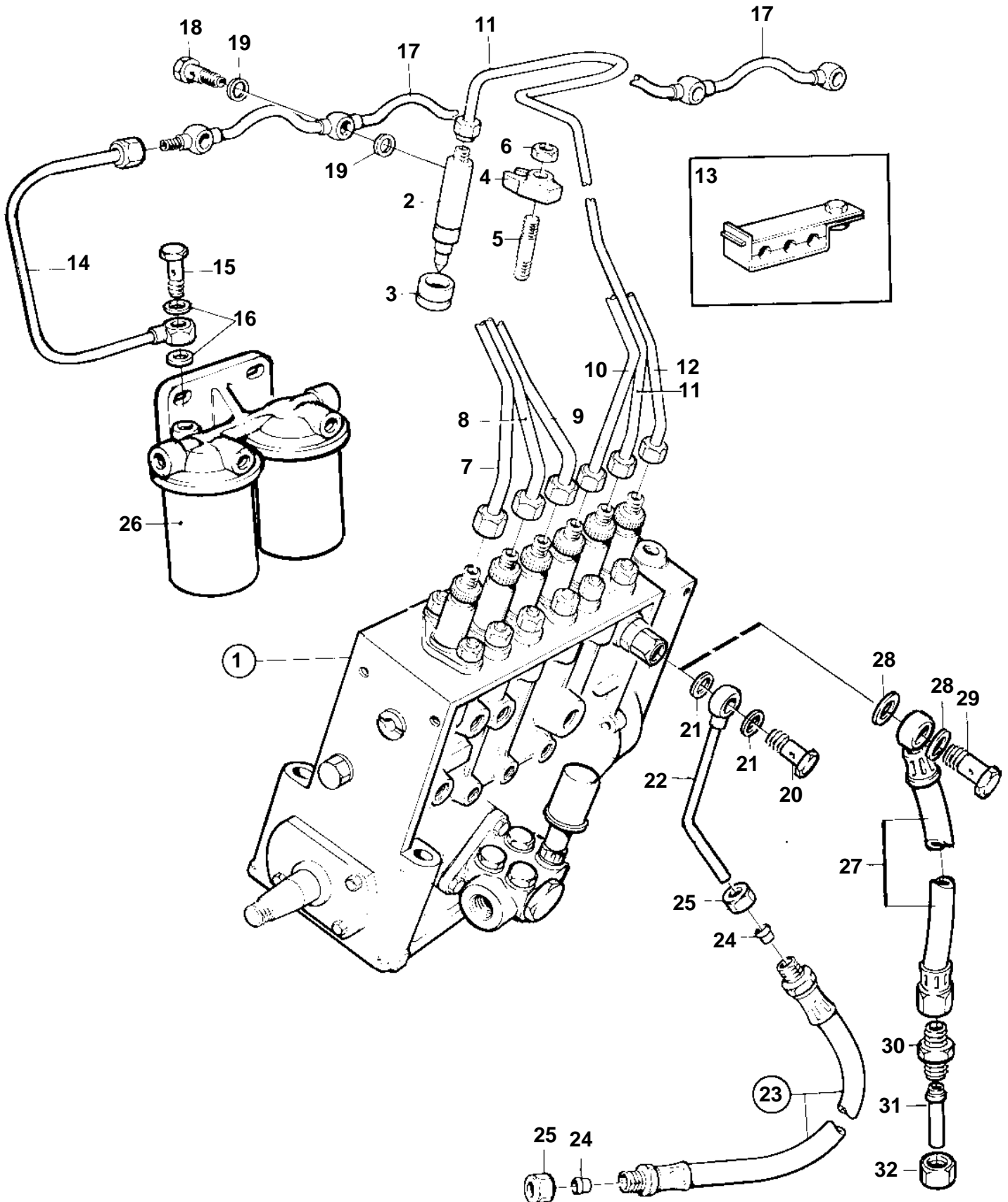


TWD731ME



16897

TWD731ME

REF	PART NO.	QTY	DESCRIPTION	SEE SEC.	NOTES
1		1	Injection pump		
2				1439	
	3825737	6	Injector		
	3803276	6	Injector, exch, exch		
				2733	
3	469455	6	Sealing ring		
4	469797	6	Yoke		
5	1545022	6	Stud		
6	971095	6	Nut		
7	477661	1	Delivery pipe		CYL 1, SN-2071080911
	8192551	1	Delivery pipe		CYL 1, SN2071080912-
8	477662	1	Delivery pipe		CYL 2, SN-2071080911
	8192552	1	Delivery pipe		CYL 2, SN2071080912-
9	477663	1	Delivery pipe		CYL 3, SN-2071080911
	8192553	1	Delivery pipe		CYL 3, SN2071080912-
10	477664	1	Delivery pipe		CYL 4, SN-2071080911
	8192554	1	Delivery pipe		CYL 4, SN2071080912-
11	477665	1	Delivery pipe		CYL 5, SN-2071080911
	8192555	1	Delivery pipe		CYL 5, SN2071080912-
12	477666	1	Delivery pipe		CYL 6, SN-2071080911
	8192556	1	Delivery pipe		CYL 6, SN2071080912-
13	8194351	4	Clamp		2 PIPES
	8194352	2	Clamp		3 PIPES
14	477901	1	Leak-off pipe		
15	25167	1	Hollow screw		
16	969011	2	Gasket		
17	471605	1	Leak-off pipe		
18	74033	6	Hollow screw		
19	947620	12	Gasket		
20	25167	1	Hollow screw		
21	969011	2	Gasket		
22	849229	1	Fuel pipe		
23	865737	1	Fuel hose		
24	956969	2	· Ferrule		
25	956983	2	· Nut		
26		1	Fuel filter	1440	
27	3826284	1	Fuel hose		When shut-off valve is mounted.
28	969011	2	Gasket		When shut-off valve is mounted.
29	25167	1	Hollow screw		When shut-off valve is mounted.
30	957055	1	Nipple		When shut-off valve is mounted.
31	3825770	1	Fuel pipe		When shut-off valve is mounted.
32	956983	1	Nut		When shut-off valve is mounted.