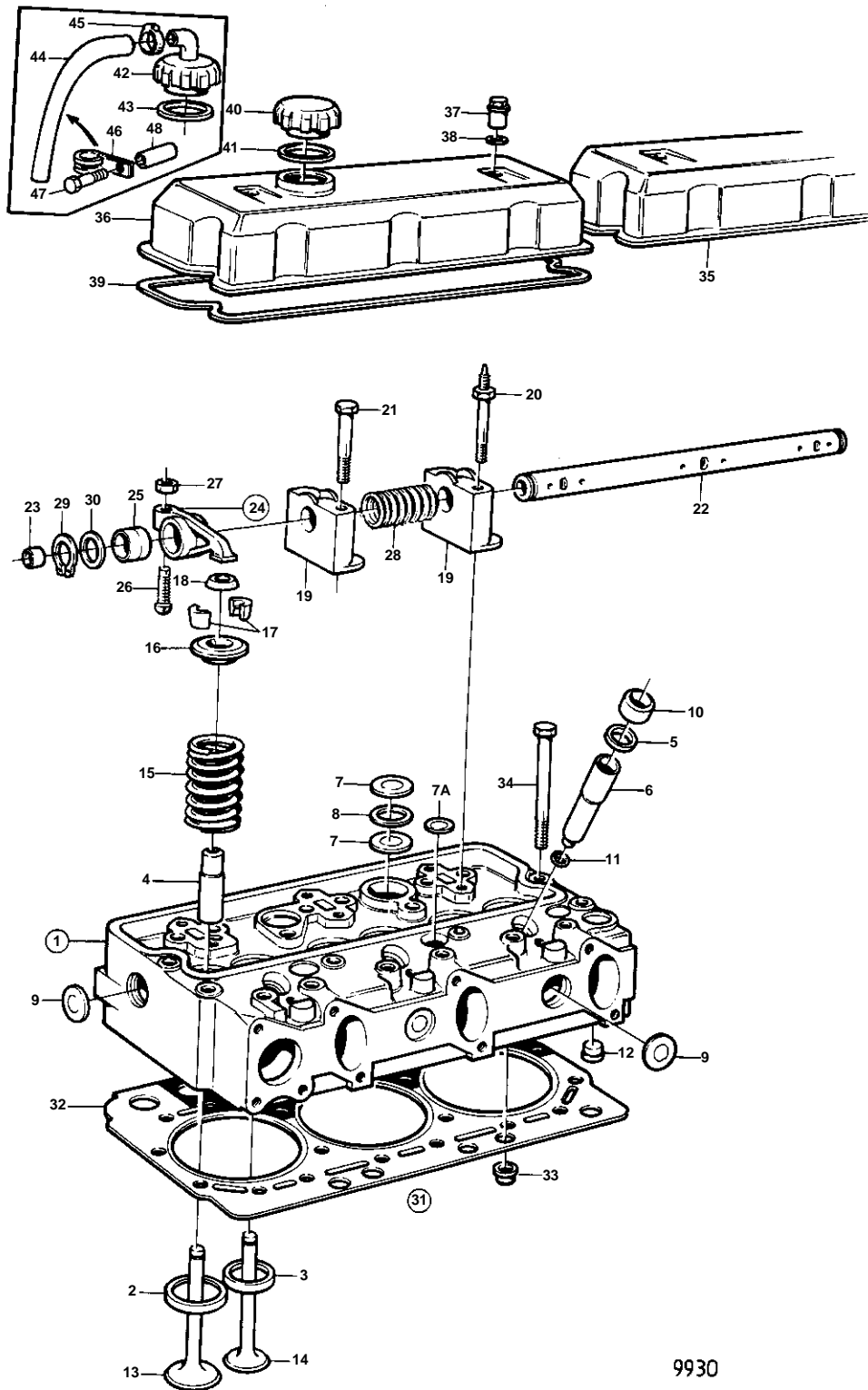


TD610M



## TD610M

REF	PART NO.	QTY	DESCRIPTION	NOTES
1	420942	2	Cylinder head	(465780), Also available as an exchange part.
	3803099	2	Cylinder head, exch, exch	(465780), Also available as an exchange part.
2	465158	6	· Valve seat, intake	STD
	465238	6	· Valve seat, intake	OVER SIZE
3	465155	6	· Valve seat, exhaust	STD
	465236	6	· Valve seat, exhaust	OVER SIZE
4	477877	12	· Valve guide	(477792)
5	466405	6	· Rubber ring	Included in kit 877094.
6	877094	6	· Copper sleeve kit	(466404)
7	477026	8	· Expansion plug	
7A	477026	6	· Expansion plug	
8	947626	4	· Gasket	
9	477024	8	· Expansion plug	
10	466420	6	· Steel ring	Included in kit 877094.
11	466922	6	· O-ring	Included in kit 877094.
12	465420	4	· Nozzle	
13	3825723	6	Inlet valve	(420553)
14	8192143	6	Exhaust valve	(465549)
15	465233	12	Valve spring	
16	465550	12	Washer	
17	1677875	24	Valve collet	
18	465551	12	Protecting ring	Included in gasket kit.
19	1665204	6	Bearing bracket	
20	471512	4	Stud	
21	471513	8	Screw	
22	465790	2	Rocker arm shaft	
23	955083	4	· Cap plug	
24	420132	6	Rocker arm, exhaust	
	420129	6	Rocker arm, intake	
25	420125	12	· Bushing	
26	422993	12	· Ball stud	
27	940175	12	· Nut	
28	411139	4	Spring	
29	914456	4	Lock ring	
30	400722	4	Washer	
31	276821	2	Gasket kit	(275774)
32		2	· Gasket	
33	465784	12	· Sealing ring	Included in gasket kit., D=26mm
	466421	16	· Sealing ring	D=19mm, Included in gasket kit.
	422413	2	· Sealing ring	Included in gasket kit., D=14mm
34	465840	40	Screw	
35	465951	2	Valve cover	STD
	465951	1	Valve cover	For engine, 40° inclination.
36	465950	2	Valve cover	ALT
	465950	1	Valve cover	For engine, 40° inclination.
37	465961	4	Nut	
38	471856	4	Sealing ring	Included in gasket kit.
39	465952	2	Gasket	Included in gasket kit.
40	421753	2	Oil filler cap	ALT
41	1275379	2	Gasket	ALT
42	848261	1	Breather cap	For engine, 40° inclination.
43	1275379	1	Gasket	For engine, 40° inclination.
44	844508	1	Hose	For engine, 40° inclination.
45	943473	1	Hose clamp	For engine, 40° inclination.
46	952637	1	Clamp	For engine, 40° inclination., (943717)
47	965183	1	Flange screw	For engine, 40° inclination.
48	807425	1	Spacer sleeve	For engine, 40° inclination.