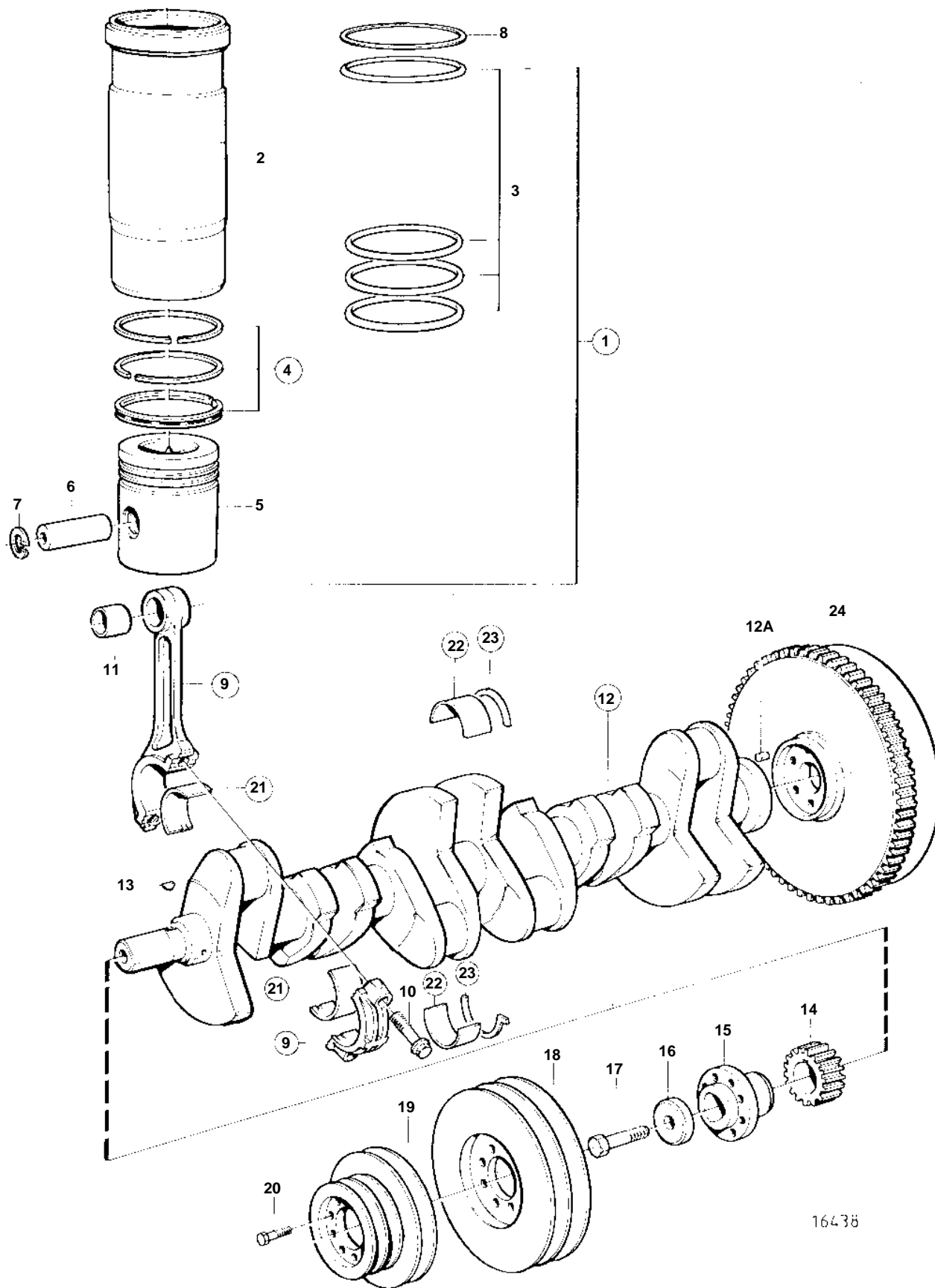


TWD730ME



16438

## TWD730ME

REF	PART NO.	QTY	DESCRIPTION	SEE SEC.	NOTES
1	275641	6	Cylinder liner kit		
2		6	· Cylinder liner		
3	271159	6	· Sealing ring kit		
4	276037	6	· Piston ring kit		
5		6	· Piston		
6	477900	6	· Piston pin		STD D, (477509)
7	914525	12	· Lock ring		
8	466878	X	Shim		TH=0,12mm, Use only when repairing.
	466114	X	Shim		TH=0,20mm, Use only when repairing.
	466183	X	Shim		Use only when repairing., TH = 0,30mm
	466184	X	Shim		TH = 0,50mm, Use only when repairing.
9	864936	6	Connecting rod		(471523)
10	465815	12	· Screw		
11	471364	6	· Bushing		
12	477116	1	Crankshaft		
12A	950677	1	· Pin		
13	422253	1	· Woodruff key		
14	471528	1	Gear		
			· Bulletin 45-01	45-01-EN	Timing Gears, 71, 100, 121
15	465779	1	Hub		
16	420124	1	Washer		
17	470366	1	Screw		
18	3825339	1	Pulley		(421515)
19	4772117	1	Pulley		3-GROOVES
20	471529	8	Screw		L=60mm
21	270115	6	Big end bearing kit		STD
	270116	6	Big end bearing kit		U.S=0,25mm
	270117	6	Big end bearing kit		U.S=0,51mm
	270118	6	Big end bearing kit		U.S=0,76mm
	270119	6	Big end bearing kit		U.S=1,01mm
	270120	6	Big end bearing kit		U.S=1,27mm
22	270432	7	Main bearing kit		STD
	270433	7	Main bearing kit		U.S=0,25mm
	270434	7	Main bearing kit		U.S=0,51mm
		7	Main bearing kit		U.S=0,76mm
	270436	7	Main bearing kit		U.S=1,01mm
	270437	7	Main bearing kit		U.S=1,27mm
23	276754	1	Thrust washer kit		STD
	276755	1	Thrust washer kit		O.S=0,10mm
	276756	1	Thrust washer kit		O.S=0,20mm
	276757	1	Thrust washer kit		O.S=0,30mm
24	864260	1	Flywheel	1350	