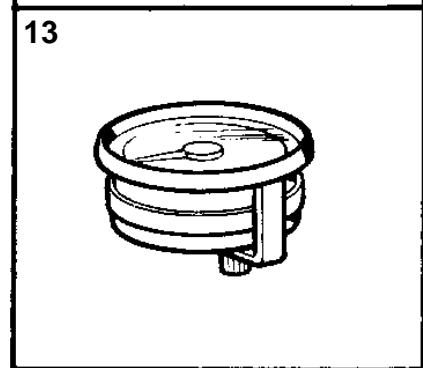
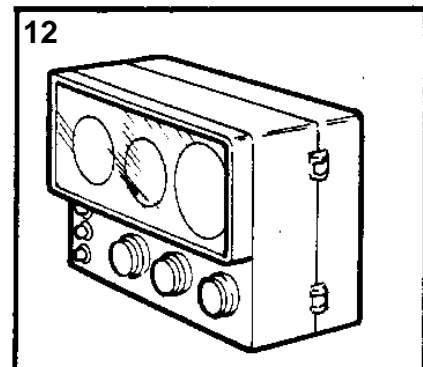
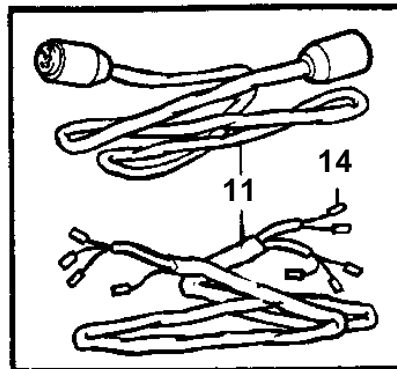
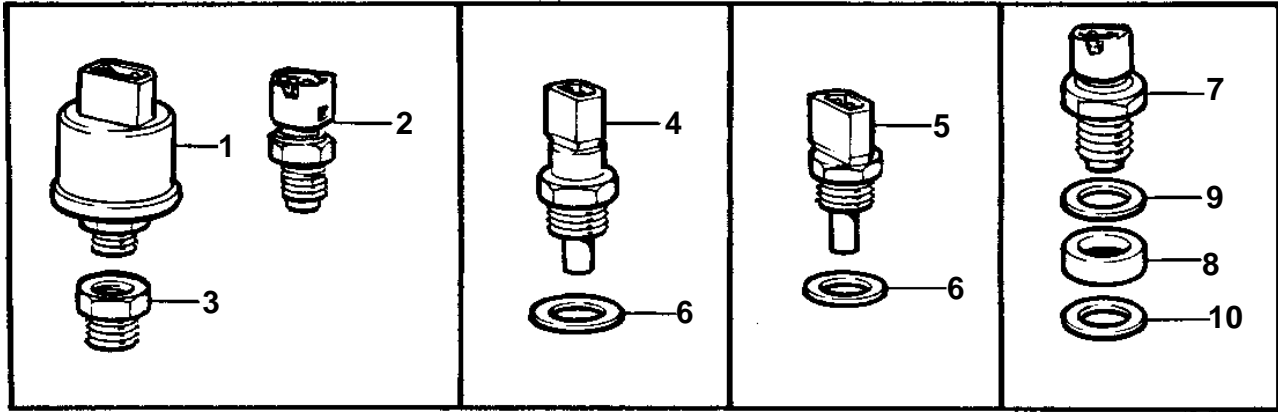


TD610M, TD630ME



TD610M, TD630ME

REF	PART NO.	QTY	DESCRIPTION	SEE SEC.	NOTES
1	866835	1	Pressure sensor, oil-engine · Bulletin P-38-6-1	P-38-6-1-EN	(862155), 0-10bar Vibration Damping Kit
2	863169	1	Pressure monitor, oil pressure		0,7bar
3	835980	1	Nipple		
4	848829	1	Temperature sensor		103°C
	862250	1	Thermo monitor		97°C
5	862154	1	Temperature sensor, coolant water temp.		MAX 120°C
6	11998	2	Gasket		(947624)
7	862251	1	Tachometer sensor		
8	863412	1	Spacer sleeve		L=10,9mm
9	947624	1	Gasket		
10	949656	1	O-ring		
11	862672	1	Cable trunk, engine		
	863867	X	Cable trunk		L=2500mm
	846648	X	Extension cable		L=3000mm
	846649	X	Extension cable		L=5000mm
	846650	X	Extension cable		L=7000mm
	863868	X	Cable trunk		L=8000mm
12		1	Instrument		
				119	
				2073	
13		X	Tachometer	1463	
14		X	Electrical materials	1963	