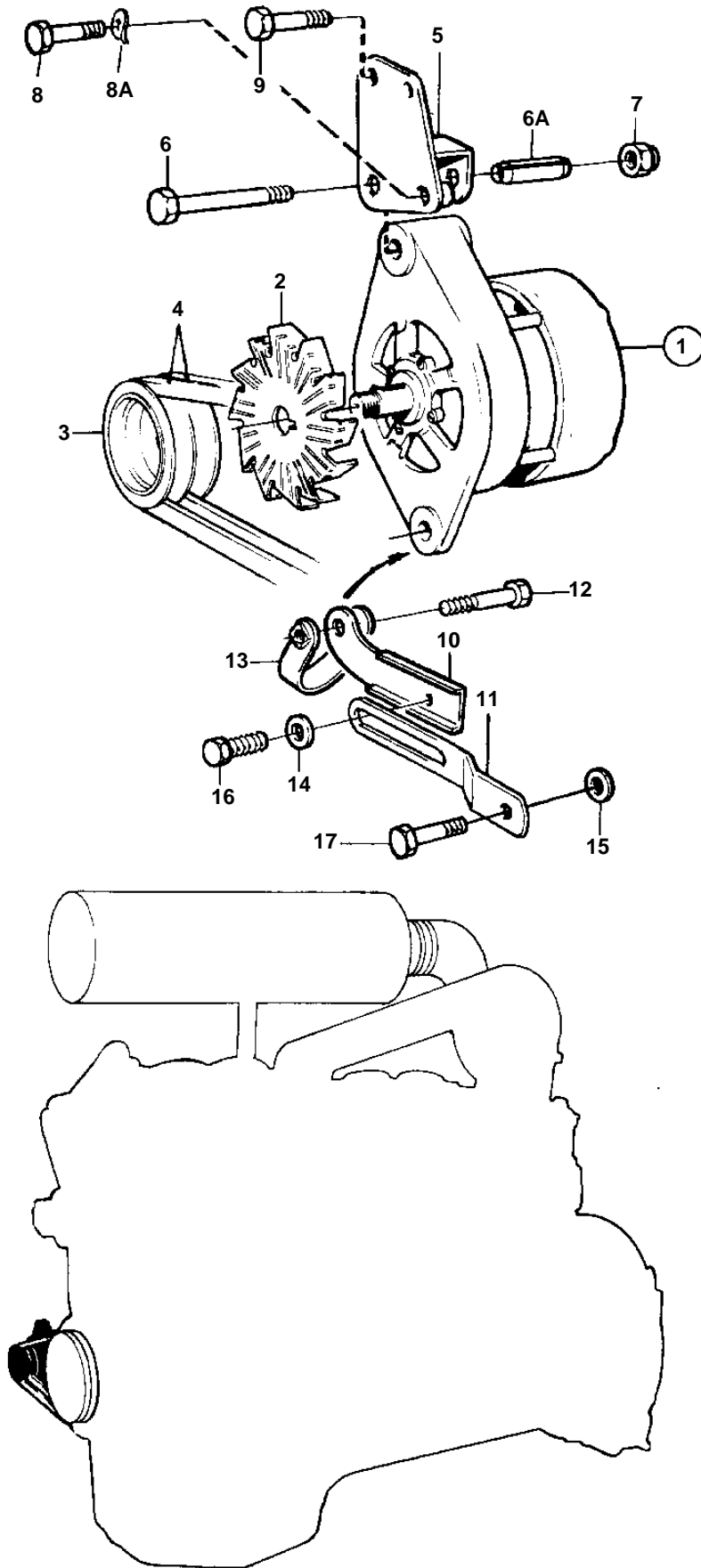


TD610M, TD630ME, TWD630ME, TD730ME, TWD730ME, TWD731ME



10473

TD610M, TD630ME, TWD630ME, TD730ME, TWD730ME, TWD731ME

REF	PART NO.	QTY	DESCRIPTION	SEE SEC.	NOTES
1	872018	1	Alternator		14V 50A, For 12 voltage electric system. REPLACED BY 872926
				1454	
	872926	1	Alternator		14V 50A E.U=3803227, For 12 voltage electric system.
				1454	
	872021	1	Alternator		28V 60A, REPL BY 873757, E.U=3803181, For 24 voltage electric system.
				3838	
	873757	1	Alternator		28V 60A
				3838	
2		1	Fan		Included in alternator.
3	822573	1	Pulley		
4	966986	1	V-belt kit		L=2x1250mm
5	849354	1	Bracket		
6	855555	1	Insert		
6A	1610144	1	Pin		FOR 872021
7	950355	1	Nut		
8	970954	1	Screw		L=60mm
8A	941908	1	Spring washer		
9	946470	1	Flange screw		L=35mm
	965180	1	Flange screw		L=60mm
10	847956	1	Tensioner		
11	849295	1	Tensioner		
12	947760	1	Flange screw		
13	466734	1	Tensioning eyelet		
14	191172	1	Washer		
15	976944	2	Washer		
16	946173	1	Flange screw		
17	965183	1	Flange screw		