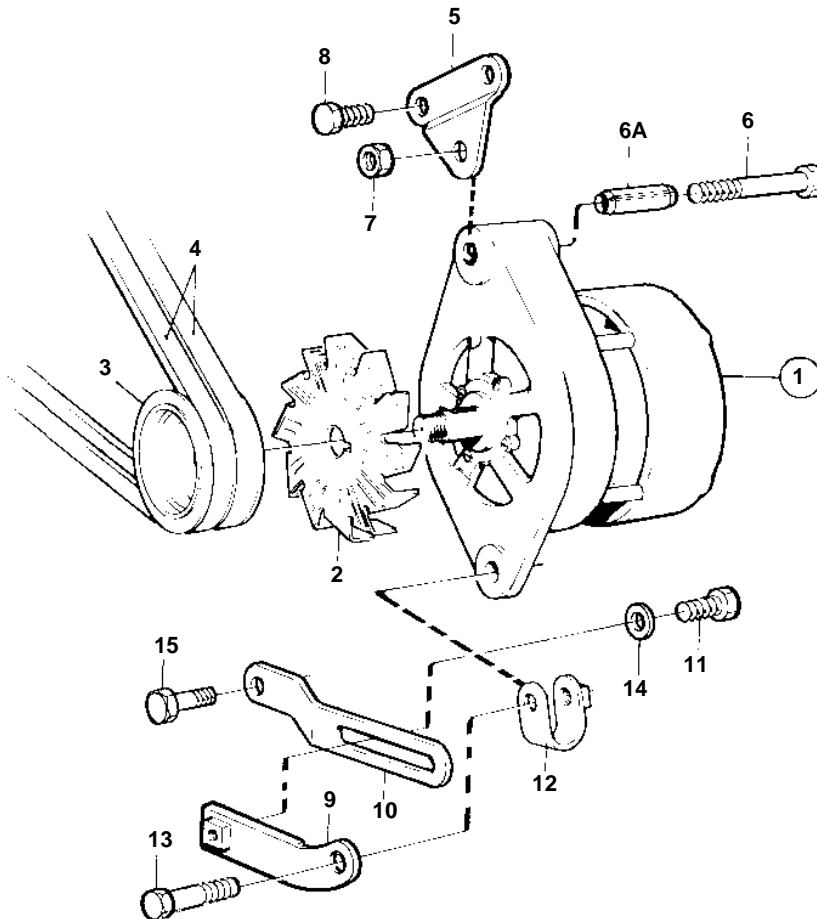
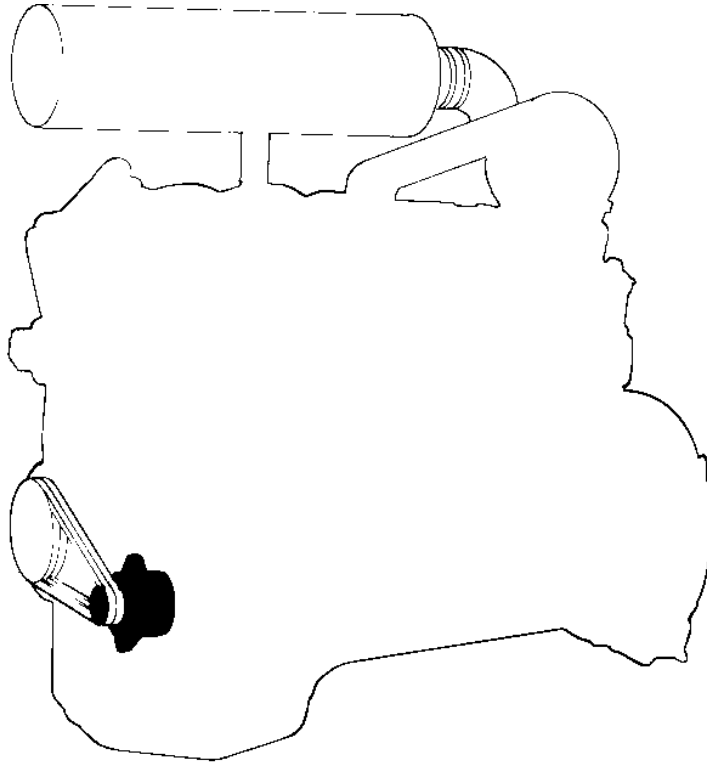


TD610M, TD630ME, TWD630ME, TD730ME, TWD730ME, TWD731ME



10474

TD610M, TD630ME, TWD630ME, TD730ME, TWD730ME, TWD731ME

REF	PART NO.	QTY	DESCRIPTION	SEE SEC.	NOTES
1	872018	1	Alternator		14V 50A REPL BY 872926, For 12 voltage electric system.
				1454	
	872926	1	Alternator		14V 50A E.U=3803227, For 12 voltage electric system.
				1454	
	872021	1	Alternator		For 24 voltage electric system., 28V 60A, REPL BY 873757, E.U=3803181
				3838	
	873757	1	• Alternator		
				3838	
2	847707	1	• Fan		For 24 voltage electric system.
	860281	1	• Fan kit		For 12 voltage electric system.
3	822573	1	Pulley		
4	976487	1	V-belt kit		L=2x1150mm (966869)
5		1	Bracket		
6	847925	1	Screw		
6A	1610144	1	Pin		FOR 872021
7	971089	1	Lock nut		
8	947760	2	Flange screw		
9	847956	1	Tensioner		
10	847957	1	Tensioner		
11	946173	1	Flange screw		
12	466734	1	Tensioning eyelet		
13	947760	1	Flange screw		
14	191172	1	Washer		
15	946173	1	Flange screw		