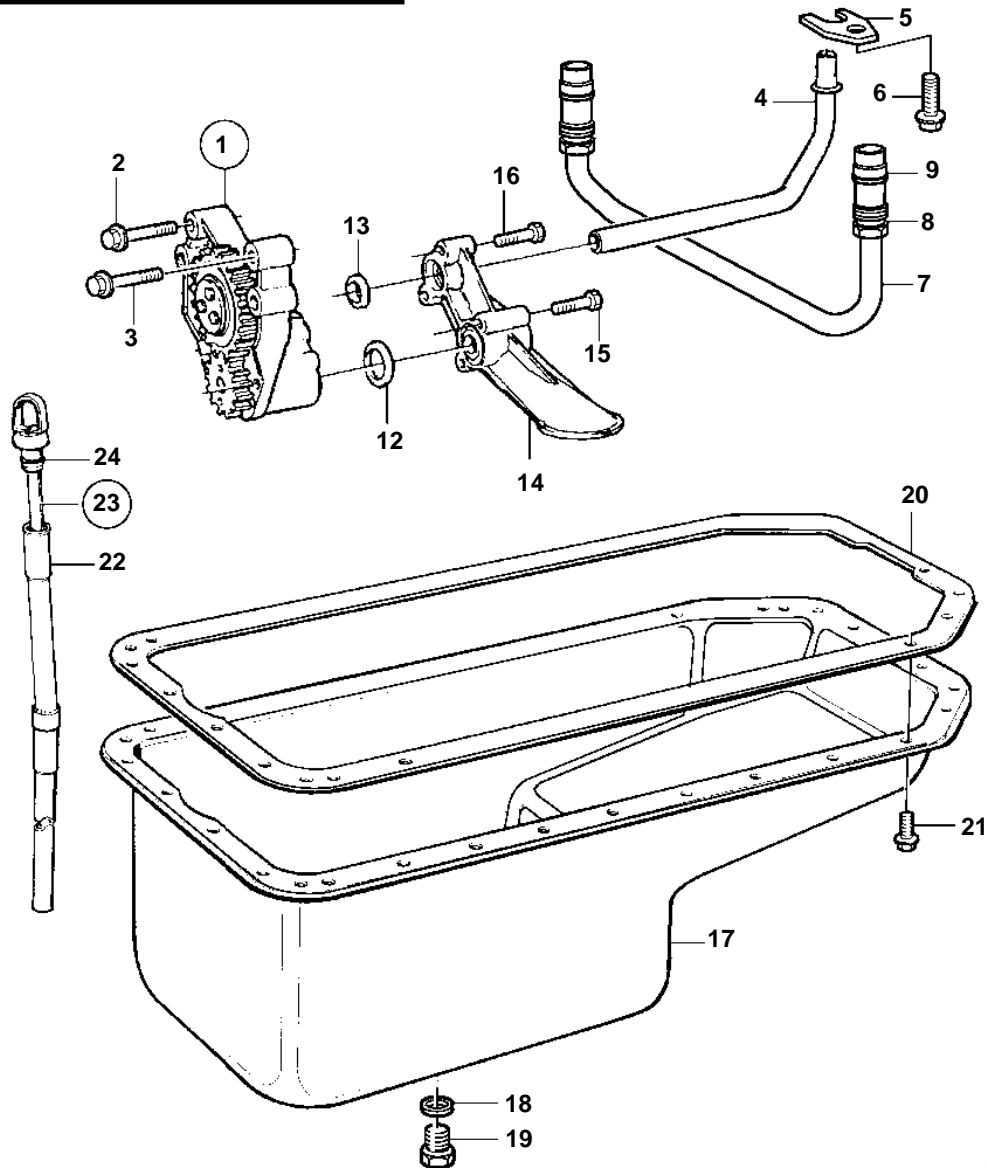
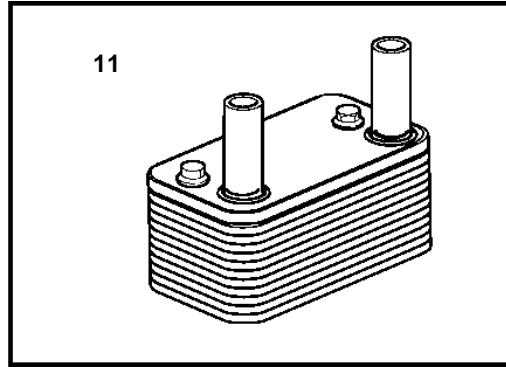
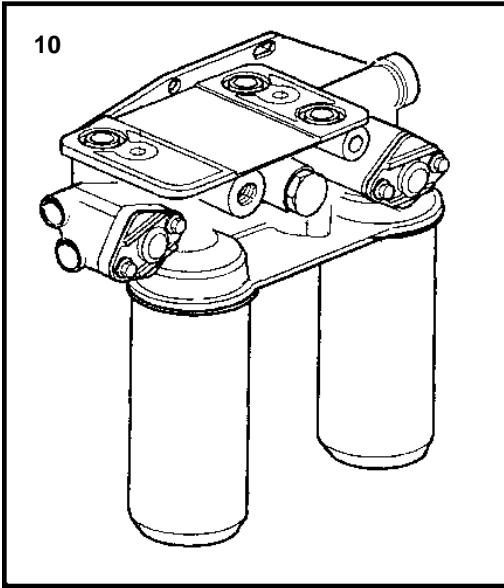


TWD740GE, TAD740GE, TAD741GE



TWD740GE, TAD740GE, TAD741GE

REF	PART NO.	QTY	DESCRIPTION	SEE SEC.	NOTES
1	864760	1	Oil pump		
				1537	
2	471513	4	Screw		M10x70mm
3	471734	2	Screw		M8x70mm
4	3827022	1	Oil feed pipe		
5	471746	1	Clamp		
6	946440	1	Flange screw		
7	3827023	1	Oil feed pipe		
8	471595	2	• Pressure pipe connec		
9	980786	2	• Ferrule		(956972)
10			Oil filter housing	3813	
11			Oil cooler	3839	
12	949659	1	O-ring		
13	471956	1	Sealing ring		
14	420725	1	Oil pump screen		
15	968892	2	Flange screw		
16	969225	2	Flange screw		
17	421026	1	Oil pan		
18	18677	1	• Gasket		
19	192538	1	• Magnetic plug		
20	11030779	1	Gasket		
21	946440	36	Flange screw		
22	3837267	1	Tube		Oil dipstick 863797 and pipe 848700 replace 862197, 862055 and sealing ring 955984., (848700)
23	863797	1	Oil dipstick		Oil dipstick 863797 and pipe 848700 replace 862197, 862055 and sealing ring 955984.
24	925054	1	• O-ring		Oil dipstick 863797 and pipe 848700 replace 862197, 862055 and sealing ring 955984.