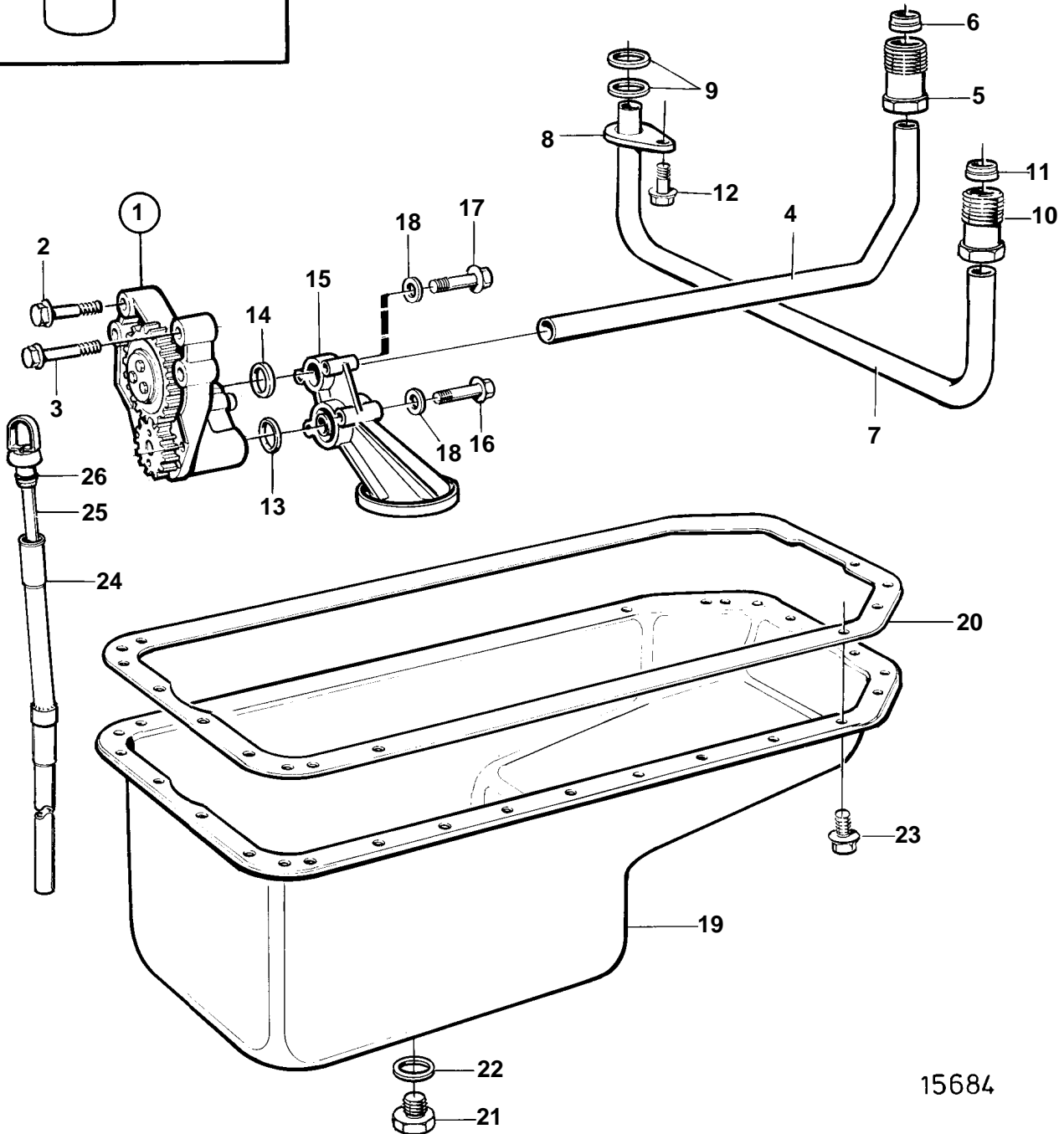
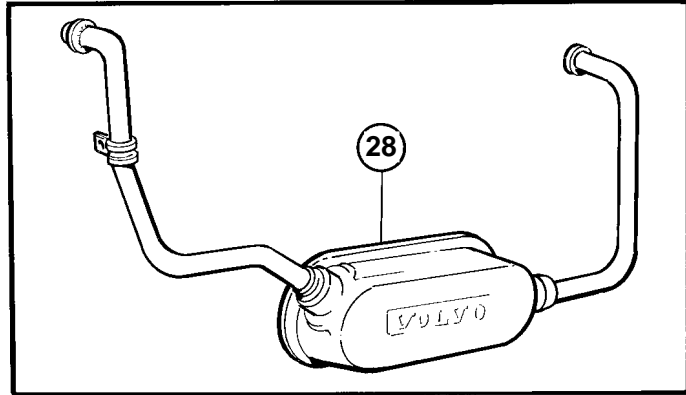
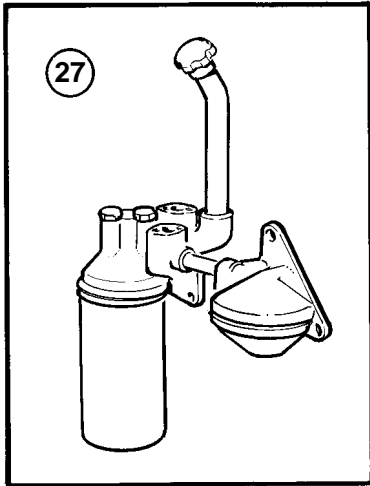


TD710G, TWD710G



TD710G, TWD710G

REF	PART NO.	QTY	DESCRIPTION	SEE SEC.	NOTES
1	477547	1	Oil pump		
				1377	
				1537	
2	471513	4	Screw		M10x70mm
3	471734	2	Screw		M8x70mm
4	477947	1	Pipe		(471587)
5	471595	1	· Pressure pipe connec		
6	980786	1	· Ferrule		
7	420996	1	Oil feed pipe, piston cooling		(471594)
8	471746	1	· Clamp		
9	471956	2	· Sealing ring		
10	471595	1	· Pressure pipe connec		
11	980786	1	· Ferrule		
12	946440	1	Flange screw		
13	949659	1	O-ring		
14	471956	1	Sealing ring		
15	420725	1	Oil pump screen		
16	968999	2	Screw		M8x130, FOR 477547
17	968842	2	Flange screw		M8x110, FOR 477547
18	955894	4	Washer		
19	421026	1	Oil pan		
20	11030779	1	Gasket		(865342)
21	192538	1	Magnetic plug		Included in oil pan 421026.
22	18677	1	Gasket		Included in oil pan 421026.
23	946440	36	Flange screw		
24	3837267	1	Tube		(848700)
25	863797	1	Oil dipstick		
26	925054	1	· O-ring		
27		1	Oil filter housing	2981	
28		1	Oil cooler	2967	