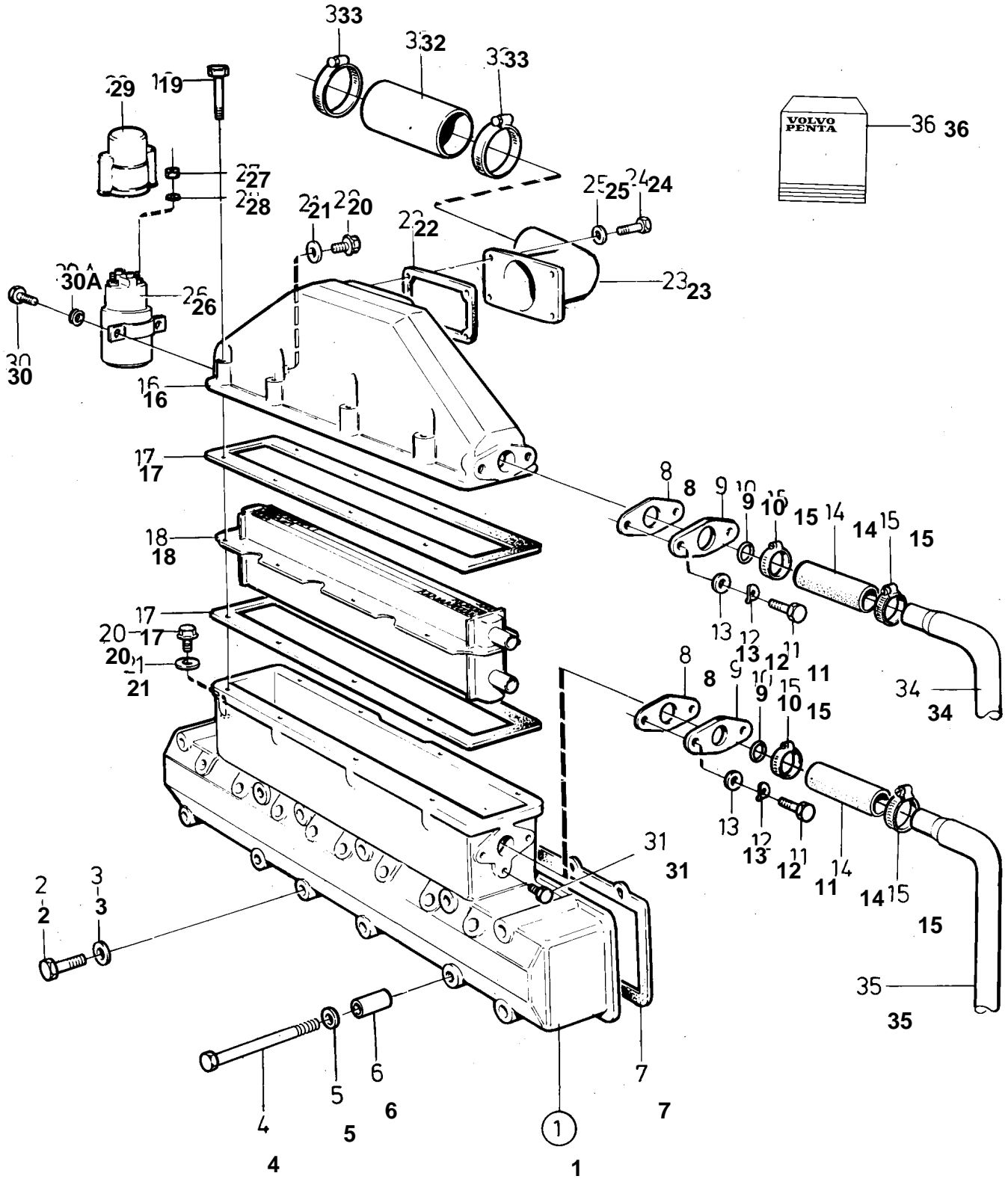


TWD710G



16705

TWD710G

REF	PART NO.	QTY	DESCRIPTION	SEE SEC.	NOTES
1		1	Inlet pipe		
				1391	
2	965183	18	Flange screw		L=90mm
3	941907	18	Spring washer		
4	955310	2	Screw		L=130mm
5	976944	2	Washer		(966674)
6	848229	2	Sleeve		L=31mm
7	3829433	2	Gasket		Included in gasket kit.
8	862619	2	Gasket		
9	846896	2	Flange		
10	925057	2	Rubber ring		
11	946934	4	Flange screw		
12	941906	4	Spring washer		
13	976943	4	Washer		
14	952969	2	Rubber hose		
15	943473	4	Hose clamp		
16	849429	1	Cover		
17	845515	2	Gasket		
18	863489	1	Insert		
19	965181	8	Screw		
20	947107	1	Flange screw		M8x12mm
	940199	1	Screw		M8x12mm
21	957171	2	Gasket		Included in gasket kit.
22	862620	1	Gasket		Included in gasket kit.
23	846793	1	Connection pipe		
24	955273	4	Screw		
25	941906	4	Spring washer		
26	873962	1	Relay		When replacing the relay, also install diod 873789., 24V 150A (1088170)
27	17624	2	Nut		M8
	955780	2	Nut		M5
28	955894	2	Washer		
29	1581123	1	Cover		
30	955244	2	Screw		
30A	940090	2	Washer		
31	479979	1	Plug		(191026)
32	466327	1	Hose		
33	943479	2	Hose clamp		
34		1	Pipe, therm. housing		
35		1	Pipe, water pump		
36	876325	1	Gasket kit		SEE GROUP 99