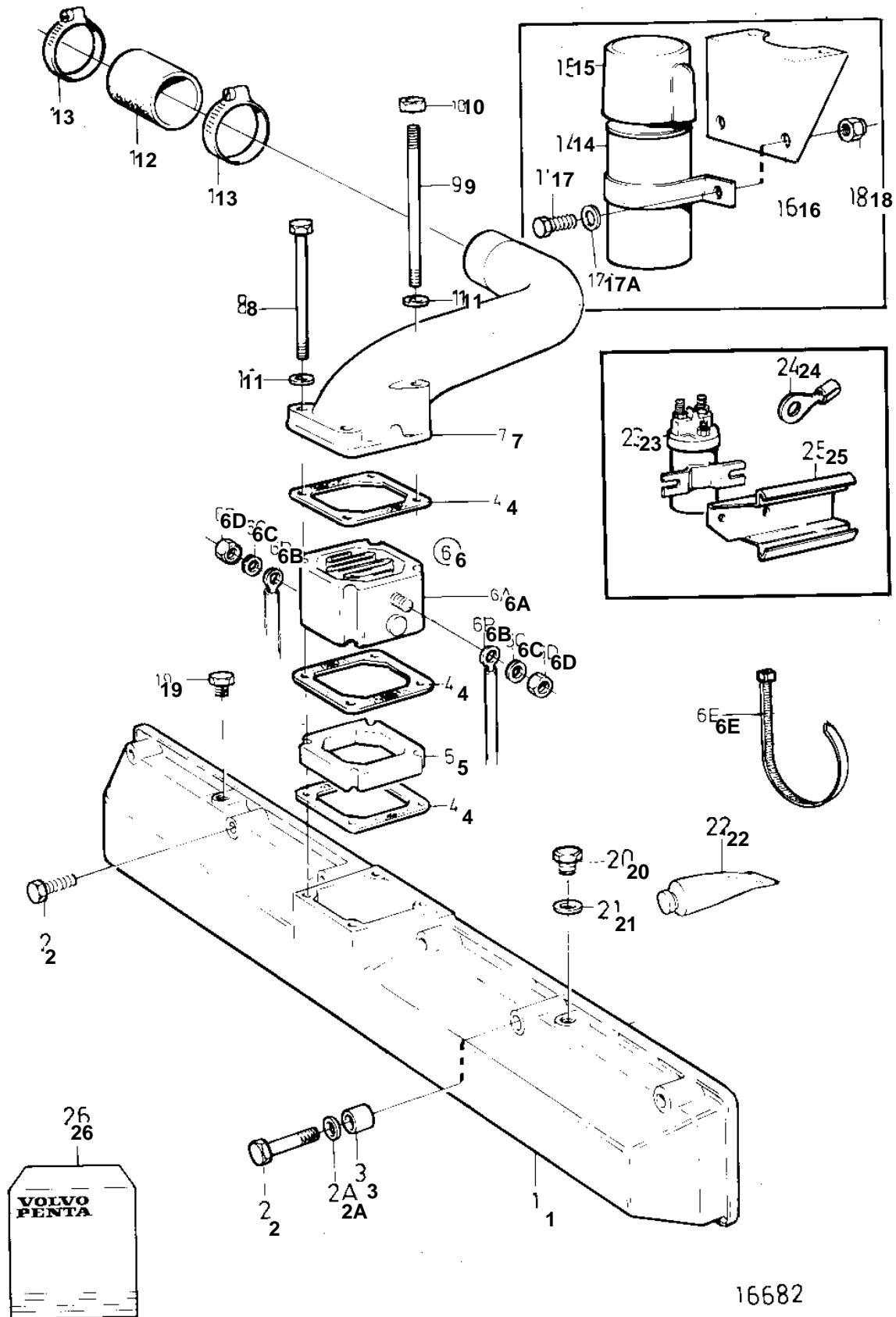


TD610G



**TD610G**

REF	PART NO.	QTY	DESCRIPTION	SEE SEC.	NOTES
1	420509	1	Tube		
2	965180	10	Flange screw		L=60mm
	955311	2	Screw		L=140mm
2A	976944	1	Washer		(966674)
3	848423	1	Sleeve		L = 63mm
	807257	1	Spacer sleeve		L=40mm
	826652	1	Spacer sleeve		L=20mm
4	471682	3	Gasket		Included in gasket kit.
5	848534	1	Spacer		
6	848959	1	Starter heater kit		24V
6A		1	· Starter element		24V
6B		2	· Cable		
6C	955894	2	· Washer		
6D	17624	2	· Nut		
6E	948211	3	Strip clamp		
7	465251	1	Tube		
8	955311	2	Screw		L=140mm
9	942283	2	Stud		L=195mm
10	946330	2	Nut		
11	955894	4	Washer		
12		1	Hose	2947	
13	943479	2	Hose clamp		
14	873962	1	Relay		24V 150A (1088170), When replacing the relay, also install diod 873789.
15	1581123	1	Cover		
16	843400	1	Attaching plate		
17	955244	2	Screw		
17A	940090	2	Washer		
18	949874	2	Lock nut		(946577)
19	479979	1	Plug		(191026)
20	960629	1	Plug		
21	11994	2	Gasket		
22	1161231	1	Sealant		
23	1577375	1	Relay		Replaced by 1 ea relay 872242, 2 ea cabel terminal 881493 and 1 ea attaching plate 866463., 12V
	872242	1	Relay		12V, ALT
24	881493	2	Cable terminal		ALT
25	866463	1	Attaching plate		ALT
26	876336	1	Gasket kit		SEE GROUP 99