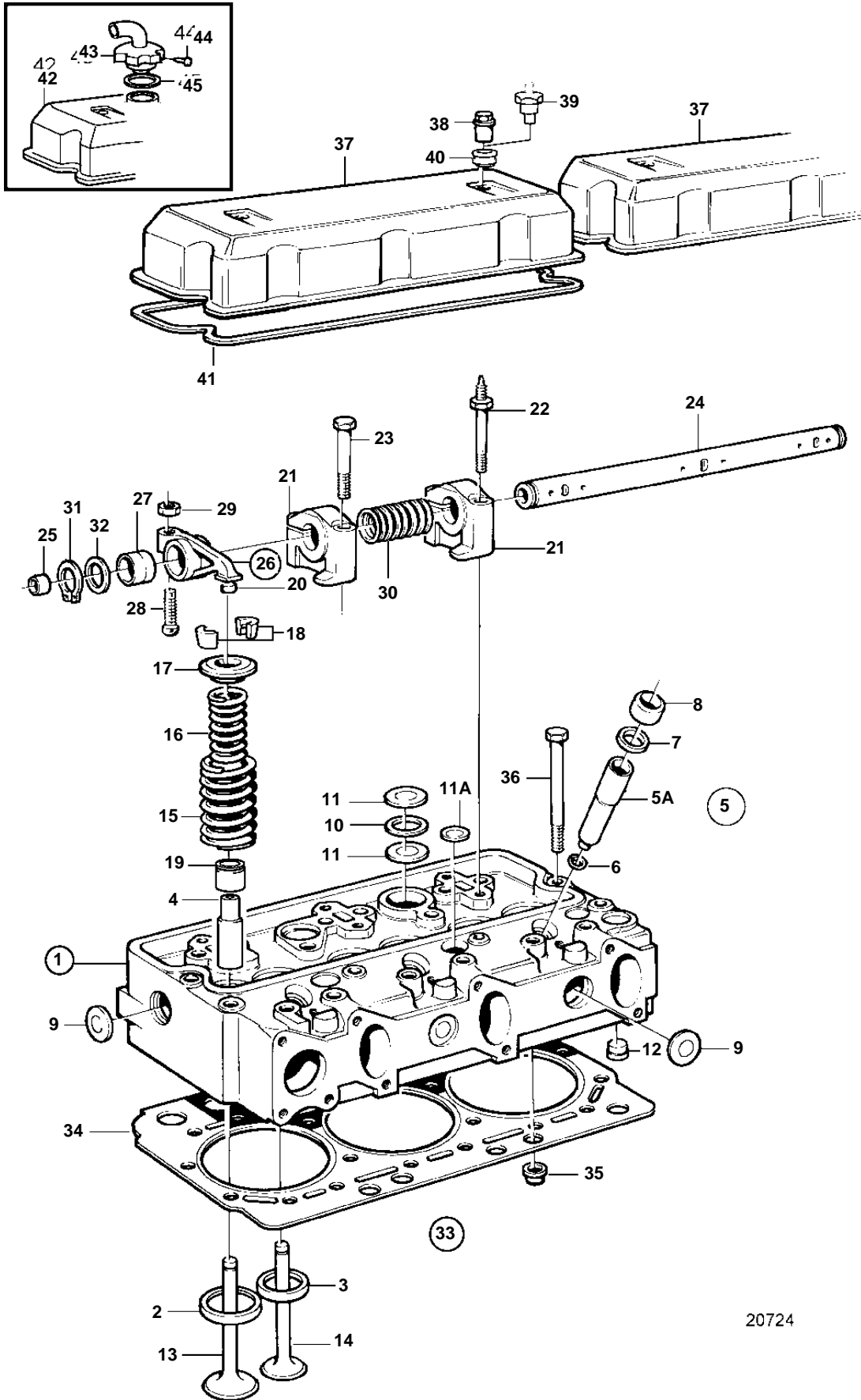


TWD740GE, TAD740GE, TAD741GE



20724

TWD740GE, TAD740GE, TAD741GE

| REF | PART NO. | QTY | DESCRIPTION | NOTES |
|-----|----------|-----|---------------------------|---|
| 1 | 477833 | 2 | Cylinder head | |
| | 3803525 | 2 | Cylinder head, exch, exch | |
| 2 | 477657 | 6 | · Valve seat, intake | STD |
| | 477658 | 6 | · Valve seat, intake | O.S=0,20mm |
| 3 | 477659 | 6 | · Valve seat, exhaust | STD |
| | 477667 | 6 | · Valve seat, exhaust | O.S=0,20mm |
| 4 | 477877 | 12 | · Valve guide | |
| 5 | 276130 | 6 | · Copper sleeve kit | |
| 5A | | | · · Spray sleeve | |
| 6 | 466922 | 6 | · · O-ring | |
| 7 | 466405 | 6 | · · Rubber ring | |
| 8 | 466420 | 6 | · · Steel ring | |
| 9 | 477024 | 8 | · Expansion plug | |
| 10 | 947626 | 4 | · Gasket | |
| 11 | 477026 | 8 | · Expansion plug | |
| 11A | 477026 | 6 | · Expansion plug | |
| 12 | 465420 | 10 | · Nozzle | |
| 13 | 3978768 | 6 | Inlet valve | (477447) |
| 14 | 3978766 | 6 | Exhaust valve | (477443) |
| 15 | 466384 | 12 | Valve spring | |
| 16 | 466383 | 12 | Spring | |
| 17 | 477451 | 12 | Valve spring washer | |
| 18 | 1677875 | 24 | Valve collet | |
| 19 | 859171 | 12 | Valve stem seal | |
| 20 | 477449 | 12 | Valve cap | |
| 21 | 477384 | 6 | Bearing bracket | |
| 22 | 477976 | 4 | Stud | |
| 23 | 471513 | 8 | Screw | |
| 24 | 471518 | 2 | Rocker arm shaft | |
| 25 | 946778 | 2 | · Cap plug | |
| 26 | 422063 | 12 | Rocker arm | |
| 27 | 422066 | 12 | · Bushing | |
| 28 | 422993 | 12 | · Ball stud | |
| 29 | 940175 | 12 | · Nut | |
| 30 | 421173 | 4 | Spring | |
| 31 | 914459 | 4 | Lock ring | |
| 32 | 941488 | 4 | Washer | |
| 33 | 276816 | 2 | Gasket kit | |
| 34 | | 2 | · Gasket | |
| 35 | 465784 | 12 | · Sealing ring | |
| | 466421 | 16 | · Sealing ring | |
| | 422413 | 2 | · Sealing ring | |
| 36 | 471481 | 40 | Screw | |
| 37 | 471426 | 2 | Valve cover | |
| 38 | 8148488 | 1 | Cap nut | When Heavy Duty aircleaner is mounted, quantity = 2 |
| 39 | 8148489 | 3 | Anchorage | When Heavy Duty aircleaner is mounted, quantity = 2 |
| 40 | 8192526 | 4 | Rubber bushing | |
| 41 | 471520 | 2 | Gasket | |
| | 477968 | 2 | Gasket | FOR 471426 |
| 42 | 477605 | 1 | Valve cover | ALT |
| 43 | 866979 | 1 | Oil filler cap | ALT |
| 44 | 955126 | 1 | · Screw | ALT |
| 45 | 1275379 | 1 | Gasket | ALT |