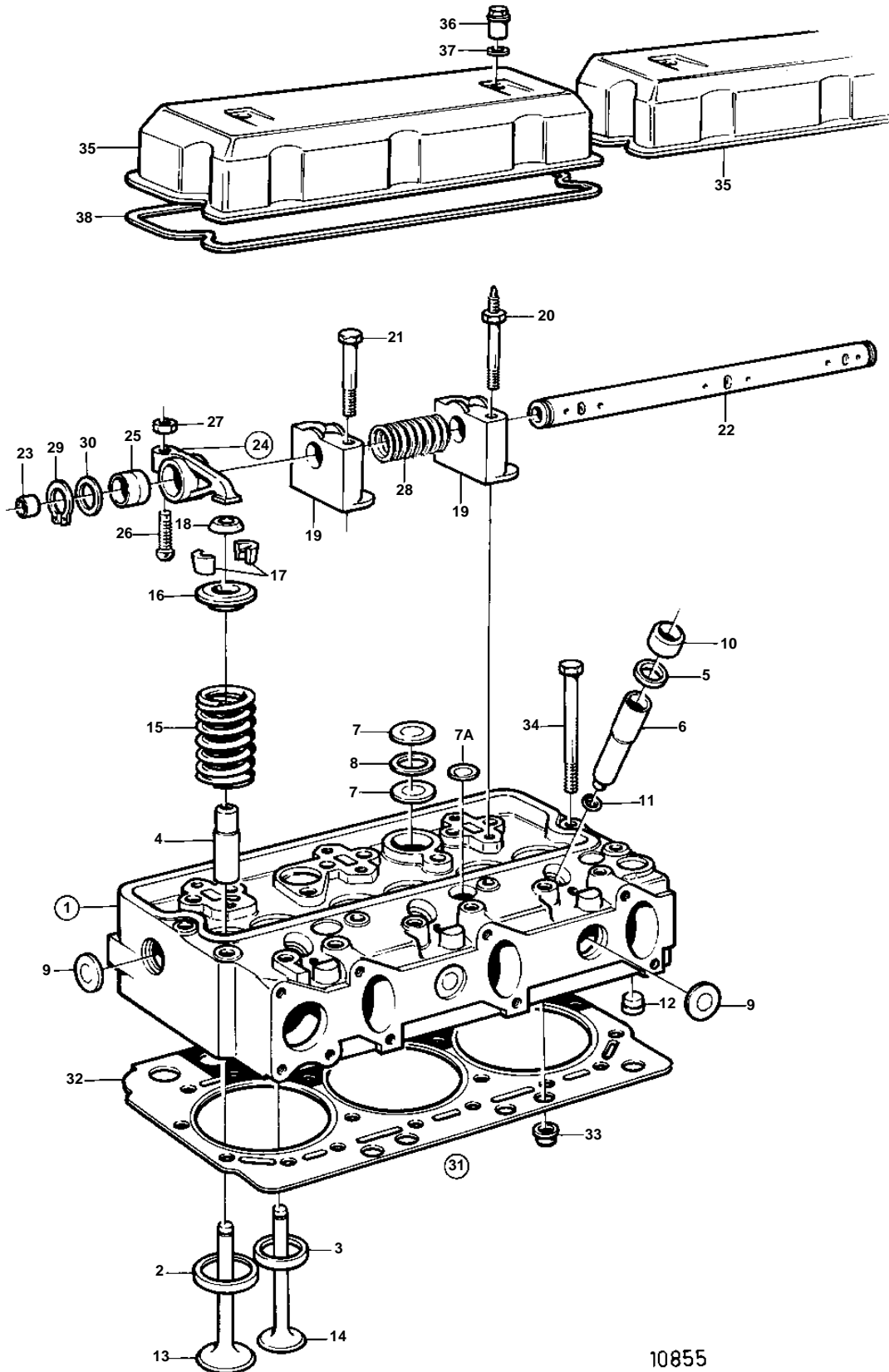


TD610G, TWD610G



10855

TD610G, TWD610G

REF	PART NO.	QTY	DESCRIPTION	NOTES
1	465780	2	Cylinder head	SN-2061157454 REPL BY 420942-5
	420942	2	Cylinder head	SN2061157455-
	3803099	2	Cylinder head, exch, exch	SN2061157455-
2	465158	6	· Valve seat, intake	
3	465155	6	· Valve seat, exhaust	
4	477877	12	· Valve guide	(477792)
5	466405	6	· Rubber ring	
6	877094	6	· Copper sleeve kit	(466404)
7	477026	8	· Expansion plug	
7A	477026	6	· Expansion plug	
8	947626	4	· Gasket	
9	477024	8	· Expansion plug	
10	466420	6	· Steel ring	
11	466922	6	· O-ring	
12	465420	4	· Nozzle	
13	3825723	6	Inlet valve	(420553)
14	8192143	6	Exhaust valve	(465549)
15	465233	12	Valve spring	
16	465550	12	Washer	
17	1677875	24	Valve collet	(465284)
18	859171	12	Valve stem seal	(465551)
19	1665204	6	Bearing bracket	
20	471512	4	Stud	
21	471513	8	Screw	
22	465790	2	Rocker arm shaft	
23	955083	4	· Cap plug	
24	420132	6	Rocker arm	EXHAUST
	420129	6	Rocker arm	INLET
25	420125	12	· Bushing	
26	422993	12	· Ball stud	(423058)
27	940175	12	· Nut	
28	411139	4	Spring	
29	914456	4	Lock ring	
30	400722	4	Washer	
31	276821	2	Gasket kit	
32		2	· Gasket	
33	465784	12	· Sealing ring	D=26mm
	466421	16	· Sealing ring	D=19mm
	422413	2	· Sealing ring	D=14mm
34	465840	40	Screw	
35	465951	2	Valve cover	
36	465961	4	Nut	
37	471856	4	Sealing ring	
38	465952	2	Gasket	