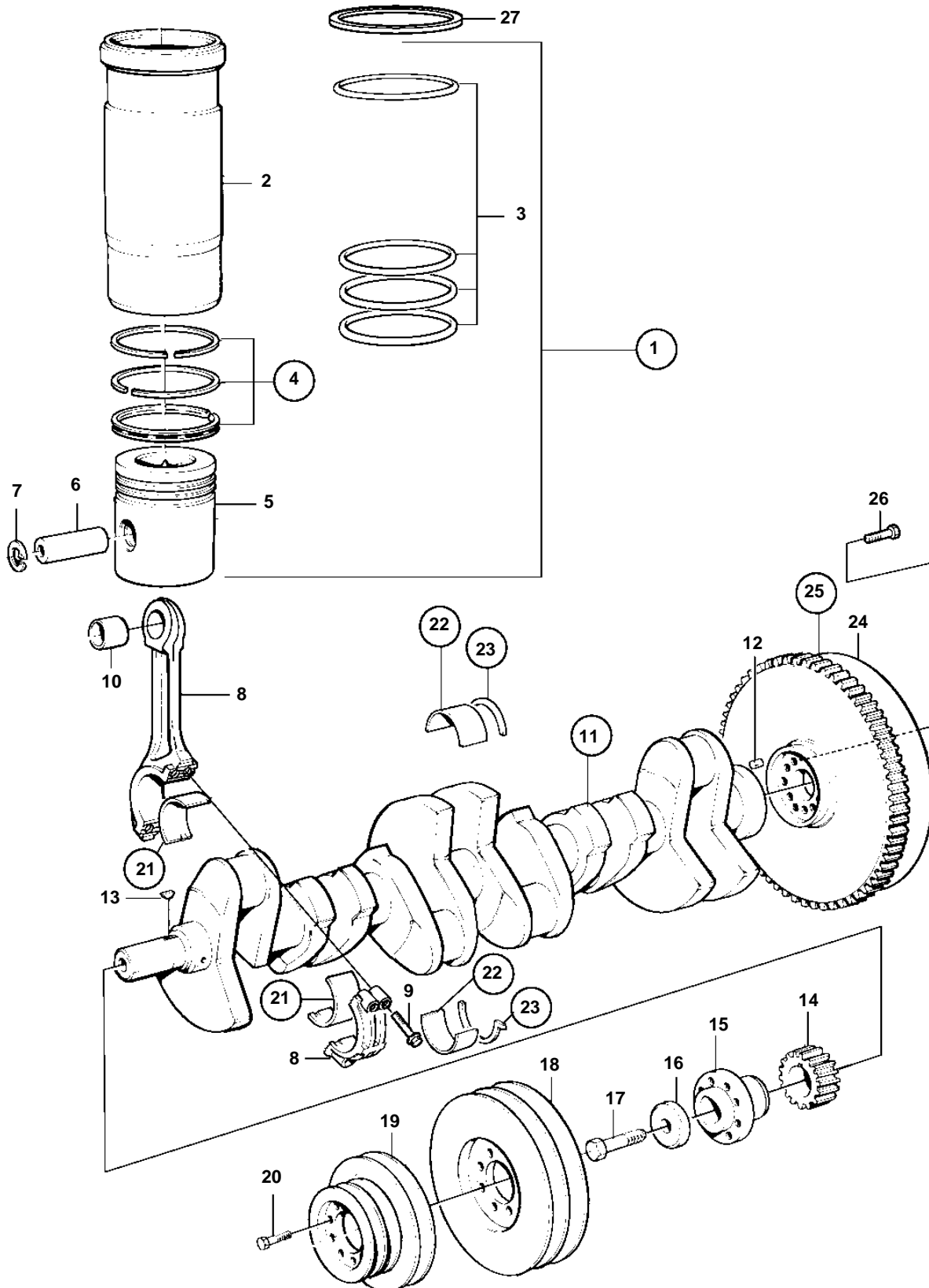


TAD741GE



17310

TAD741GE

REF	PART NO.	QTY	DESCRIPTION	SEE SEC.	NOTES
1	20522262	6	Cylinder liner kit		(276938)
2		6	· Cylinder liner		
3	271159	6	· Sealing ring kit		
4	276905	6	· Piston ring kit		
5		6	· Piston		
6	8192764	6	· Piston pin		
7	914526	12	· Snap ring		
8	8192800	6	Connecting rod		
9	8192804	24	· Screw		
10	8192803	6	· Bushing		
11	3137903	1	Crankshaft		(8192790)
12	950681	1	· Locating pin		
13	422253	1	· Woodruff key		
14	471528	1	Gear		
			Bulletin 45-01	45-01-EN	Timing Gears, 71, 100, 121
15	465779	1	Hub		
16	420124	1	Washer		
17	470366	1	Screw		
18	3826416	1	Pulley		
19	4772117	1	Pulley		
20	471529	8	Screw		
21	276909	6	Big end bearing kit		STD
	276910	6	Big end bearing kit		0,25mmU.S
	276911	6	Big end bearing kit		0,50mm UNDER SIZE
	276912	6	Big end bearing kit		0,76mm U.S
22	276894	7	Main bearing kit		STD
	276895	7	Main bearing kit		0,25mmU.S
	276896	7	Main bearing kit		0,50mm UNDER SIZE
	276897	7	Main bearing kit		0,76mm U.S
	276898	7	Main bearing kit		U.S=1,01mm
		7	Main bearing kit		U.S=1,27mm
23	276890	1	Thrust washer kit		STD
	276891	1	Thrust washer kit		0,10mm O.S
	276892	1	Thrust washer kit		0,20mm O.S
	276893	1	Thrust washer kit		0,30mm OVER SIZE
24	3825732	1	Flywheel		STD, SAE 2, 11,5" DISC
	3836367	1	Flywheel		SAE 1, 14" DISC
25	420314	1	· Gear ring		FOR 3825732
	8193939	1	· Gear ring		FOR 3836367
26	465825	9	Screw		FOR 3825732
	465815	9	Screw		FOR 3836367
27	3978758	X	Shim		TH = 0.12mm
	3978759	X	Shim		TH = 0.20mm
	3978760	X	Shim		TH = 0.30mm
	3978761	X	Shim		TH = 0.50mm