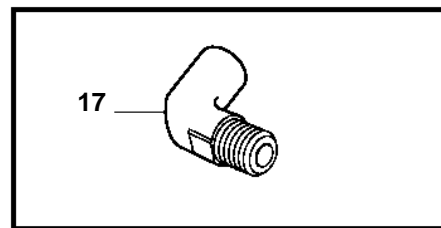
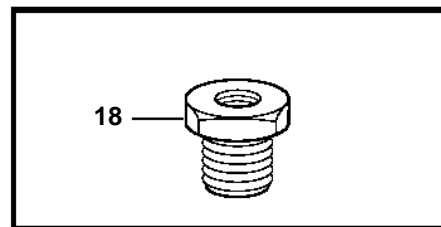
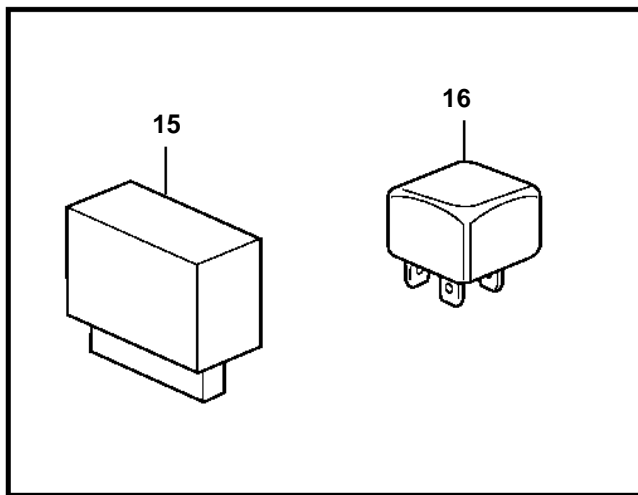
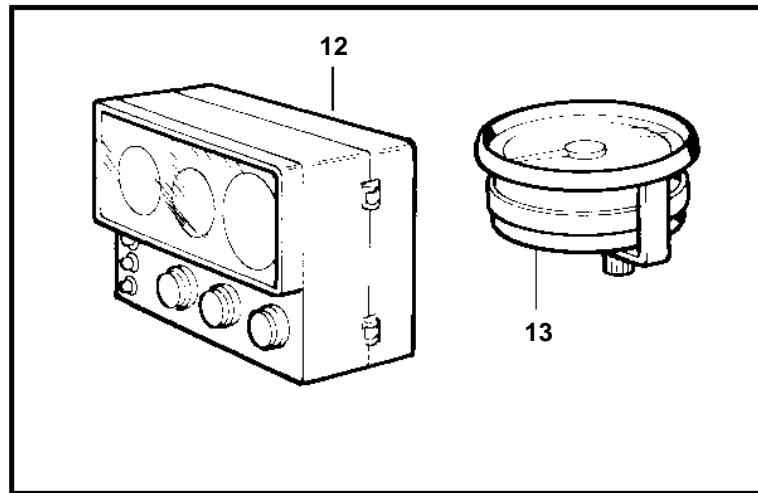
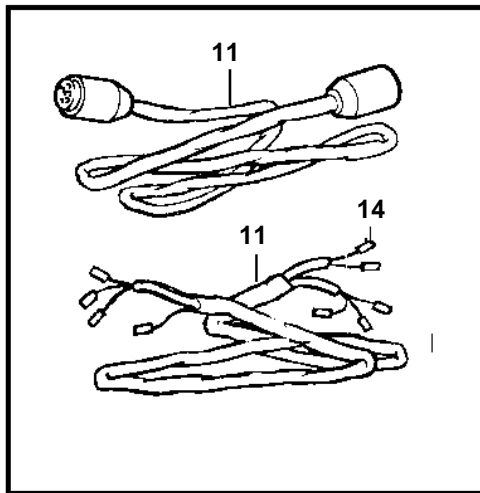
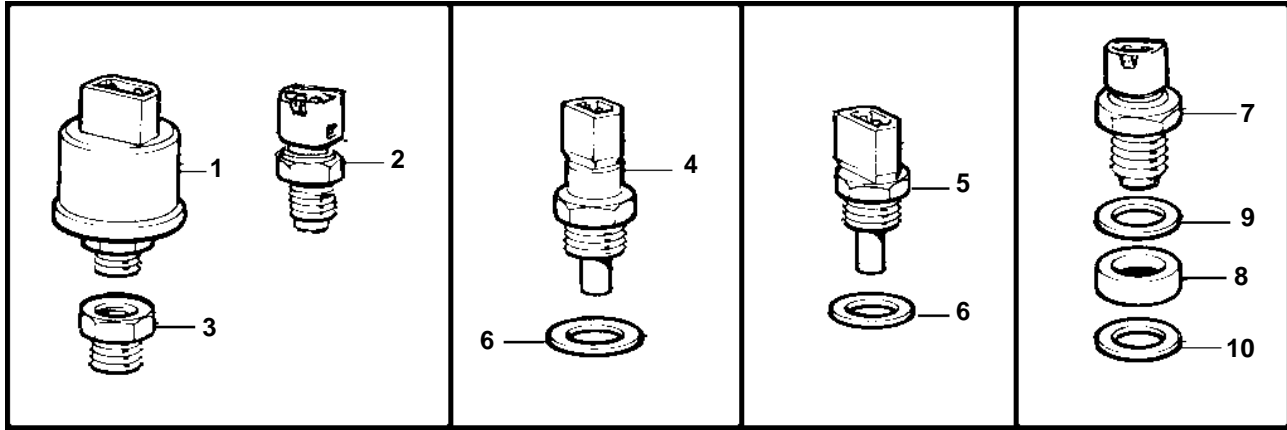


TD610G, TWD610G



## TD610G, TWD610G

| REF | PART NO. | QTY | DESCRIPTION  | SEE SEC.    | NOTES                                      |
|-----|----------|-----|--|-------------|--|
| 1   | 866835   | 1   | Pressure sensor, oil-engine<br>· Bulletin P-38-6-1 | P-38-6-1-EN | (862155), 0-10bar<br>Vibration Damping Kit |
| 2   | 863169   | 1   | Pressure monitor, oil pressure                     |             | 0,7bar                                     |
| 3   | 835980   | 1   | Nipple   |             |  |
| 4   | 848829   | 1   | Temperature sensor                                 |             | 103°C                                      |
|     | 862250   | 1   | Thermo monitor                                     |             | 97°C                                       |
| 5   | 862154   | 1   | Temperature sensor, coolant water temp.            |             | MAX 120°C                                  |
| 6   | 11998    | 2   | Gasket   |             | (947624)                                   |
| 7   | 862251   | 1   | Tachometer sensor                                  |             | ROUND TERMINAL                             |
|     | 1502028  | 1   | Tachometer sensor                                  |             | BLADE TERMINAL                             |
| 8   | 863412   | 1   | Spacer sleeve                                      |             | L=10,9mm                                   |
| 9   | 947624   | 1   | Gasket   |             |  |
| 10  | 949656   | 1   | O-ring   |             |  |
| 11  | 862672   | 1   | Cable trunk, engine                                |             |  |
|     | 863867   | X   | Cable trunk  |             | L=2500mm                                   |
|     | 846648   | X   | Extension cable                                    |             | L=3000mm                                   |
|     | 846649   | X   | Extension cable                                    |             | L=5000mm                                   |
|     | 846650   | X   | Extension cable                                    |             | L=7000mm                                   |
|     | 863868   | X   | Cable trunk  |             | L=8000mm                                   |
| 12  |          | 1   | Instrument   |             |  |
|     |          |     |  | 119         |  |
|     |          |     |  | 2073        |  |
| 13  |          | X   | Tachometer   | 2912        |  |
| 14  |          | X   | Electrical materials                               | 1963        |  |
| 15  | 873140   | 1   | Race gard  |             |  |
| 16  | 20374662 | 1   | Relay, overspeed protection                        |             | (9518230)                                  |
| 17  | 809109   | 1   | Elbow nipple                                       |             |  |
| 18  | 421528   | 1   | Reduction nipple                                   |             |  |