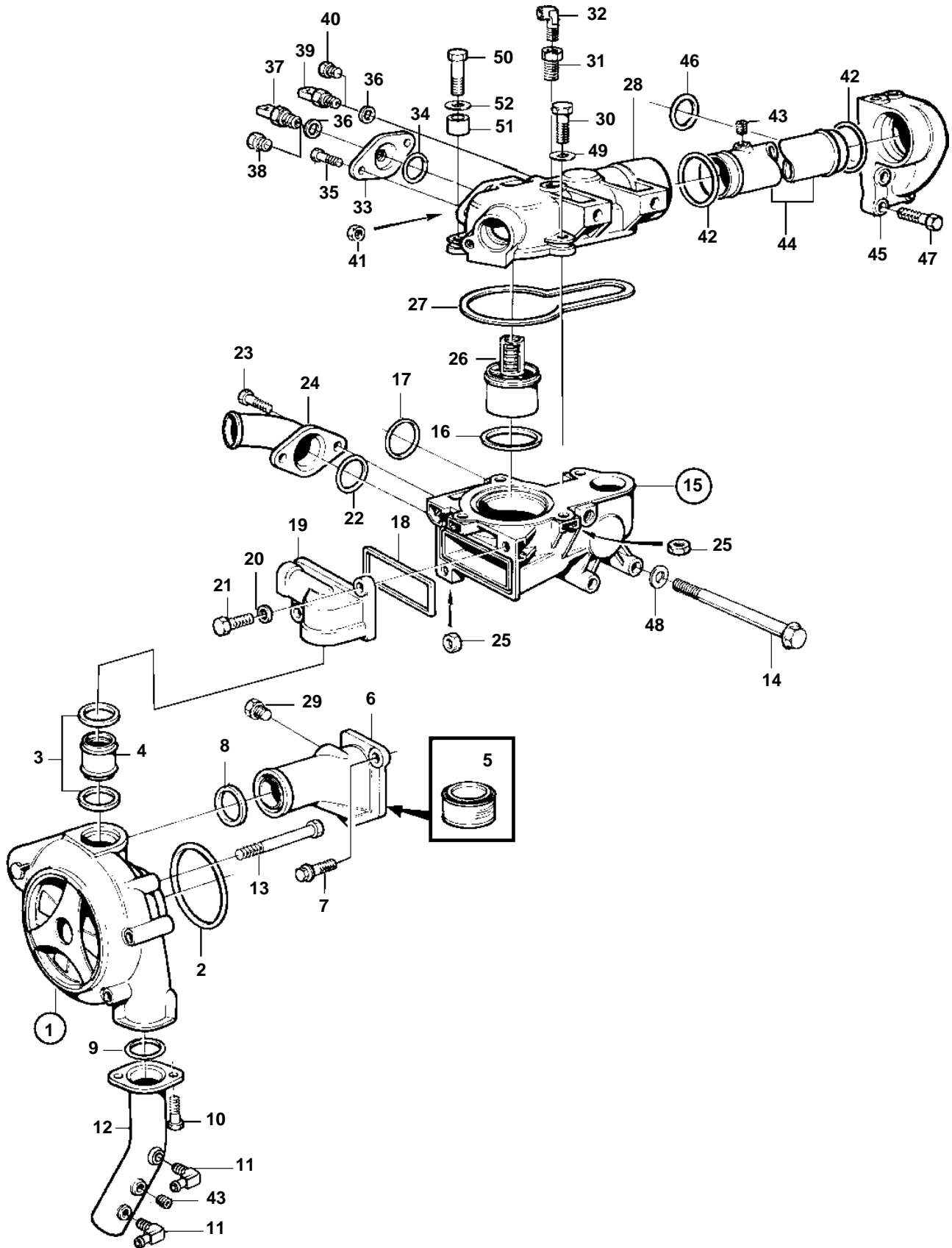


TAD740GE, TAD741GE



TAD740GE, TAD741GE

REF	PART NO.	QTY	DESCRIPTION	SEE SEC.	NOTES
1	1675750	1	Circulation pump		REPL BY 3183909
				3836	
	3183909	1	Circulation pump		
				4815	
2	925095	1	O-ring		
3	469982	2	Sealing ring		
4	471634	1	Tube		
5	1161231	X	Sealant		
	1161277	X	Sealant		
6	848131	1	Intermediate section		
7	946472	2	Screw		
8	471629	1	Sealing ring		
9	925092	1	O-ring		
10	945444	2	Flange screw		
11	942649	1	Nipple		
12	3827700	1	Coolant pipe		
13	965190	3	Screw		FLANGE SCREW
	970960	1	Screw		HEXAGON SCREW
14	965189	3	Flange screw		
15	876628	1	Thermostat housing		Anodic treatment.
16	1544710	1	· Sealing ring		
17	477059	1	O-ring		
18	471816	1	Sealing ring		
19	471822	1	Housing		
20	941907	2	Spring washer		
21	945444	2	Flange screw		
22	925092	1	O-ring		
23	945444	2	Flange screw		
24	848381	1	Water pipe		
25	955782	5	Nut		
26	3839110	1	Thermostat		
27	471788	1	Sealing ring		
28	420968	1	Cover		
29	479976	1	Plug		
30	946470	3	Flange screw		
31	1136966	1	Nipple		
32	16218	1	Elbow nipple		
33	3830530	1	Flange		
34	469477	1	O-ring		
35	945444	2	Flange screw		
36	11998	1	Gasket		
37		1	Temperature sensor		
38	960632	1	Plug		
39		1	Temperature contact		
40	960632	1	Plug		
41	955782	2	Nut		
42	469982	2	Sealing ring		
43	479977	X	Plug		
44	848656	1	Tube		
45	465911	1	Tube		
46	477059	1	O-ring		
47	965186	2	Flange screw		L=50mm
	965187	1	Screw		L=60mm
48	941908	3	Spring washer		
49	941907	3	Spring washer		
50	948217	1	Flange screw		
51	843075	1	Sleeve		
52	191172	1	Washer		