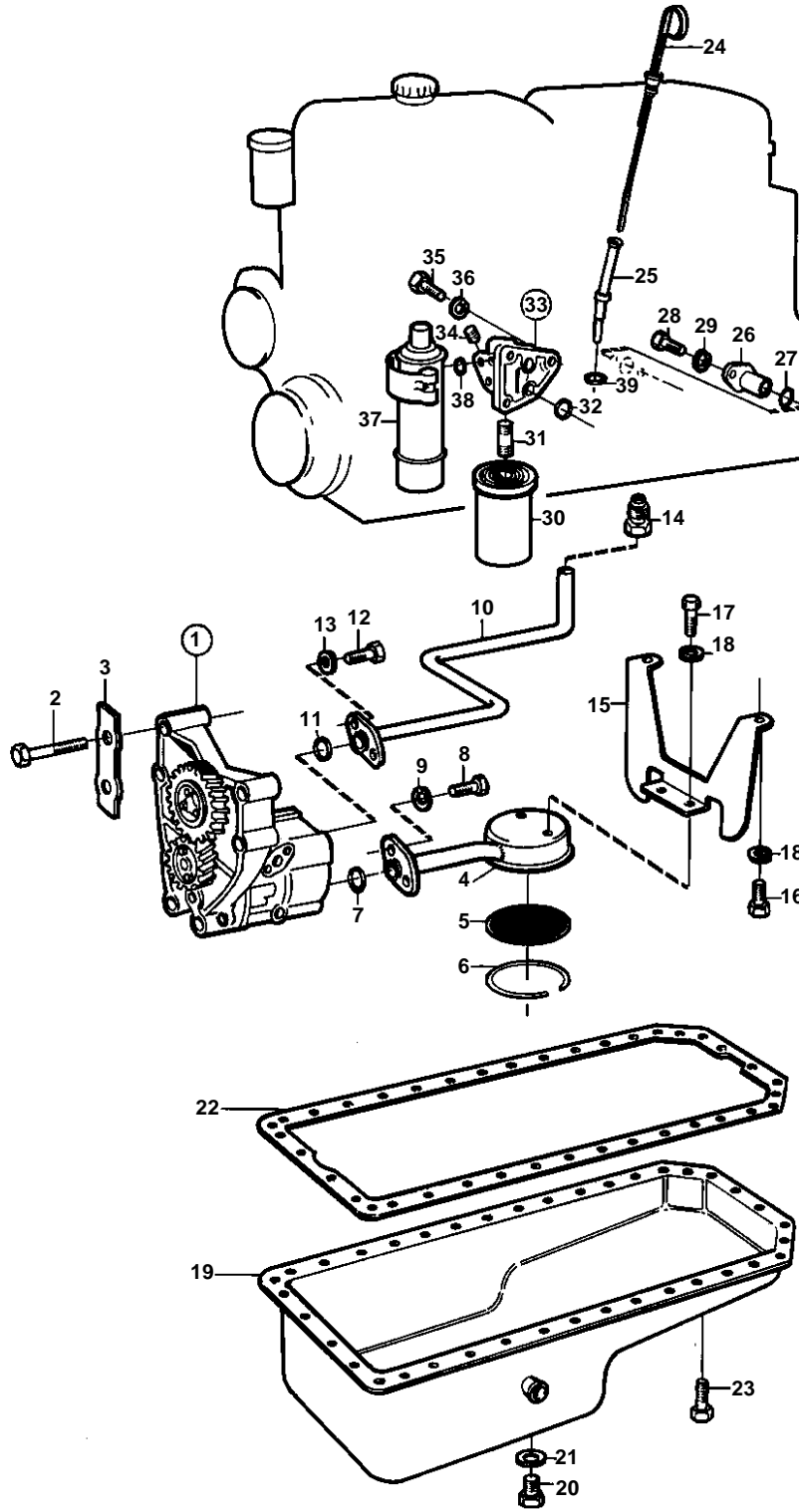


TD60D-83,TID60D



6907

TD60D-83,TID60D

REF	PART NO.	QTY	DESCRIPTION	SEE SEC.	NOTES
1	466387	1	Oil pump		
				02A-2100	
2	62109	2	Lock washer		
3	955538	4	Screw		
4	844702	1	Suction pipe		
5	414621	1	Strainer		
6	118125	1	Lock ring		
7	948229	1	O-ring	IK	
8	955530	2	Screw		
9	941907	2	Spring washer		
10	465680	1	Tube		(844755)
11	949656	1	O-ring	IK	
12	955530	2	Screw		
13	941907	2	Spring washer		
14	466906	1	Fitting		
15	842133	1	Baffle plate		
16	955523	2	Screw		
17	940113	2	Screw		
18	941907	2	Spring washer		
	942385	2	Disc spring		
19	821343	1	Oil pan		
20	192538	1	Magnetic plug		
21	18677	1	Gasket	IK	
22	420025	1	Gasket	IK	
23	942402	34	Flange screw		
24	845181	1	Oil dipstick		
25	836179	1	Tube		
26	421123	1	Reducing valve		
27	949721	1	O-ring	IK	
28	940100	2	Screw		
29	941906	2	Spring washer		
30	4785974	1	Oil filter		SEE GROUP 2B
31	423067	1	Nipple		SEE GROUP 2B
32	949656	2	O-ring	IK	SEE GROUP 2B
33	466339	1	Oil filter housing		SEE GROUP 2B
34	952075	1	Plug		SEE GROUP 2B
35	940115	3	Screw		SEE GROUP 2B
36	942336	3	Spring washer		SEE GROUP 2B
37	420365	1	Oil cooler		SEE GROUP 2B
38	469483	2	Sealing ring	IK	SEE GROUP 2B
39	955982	1	O-ring		