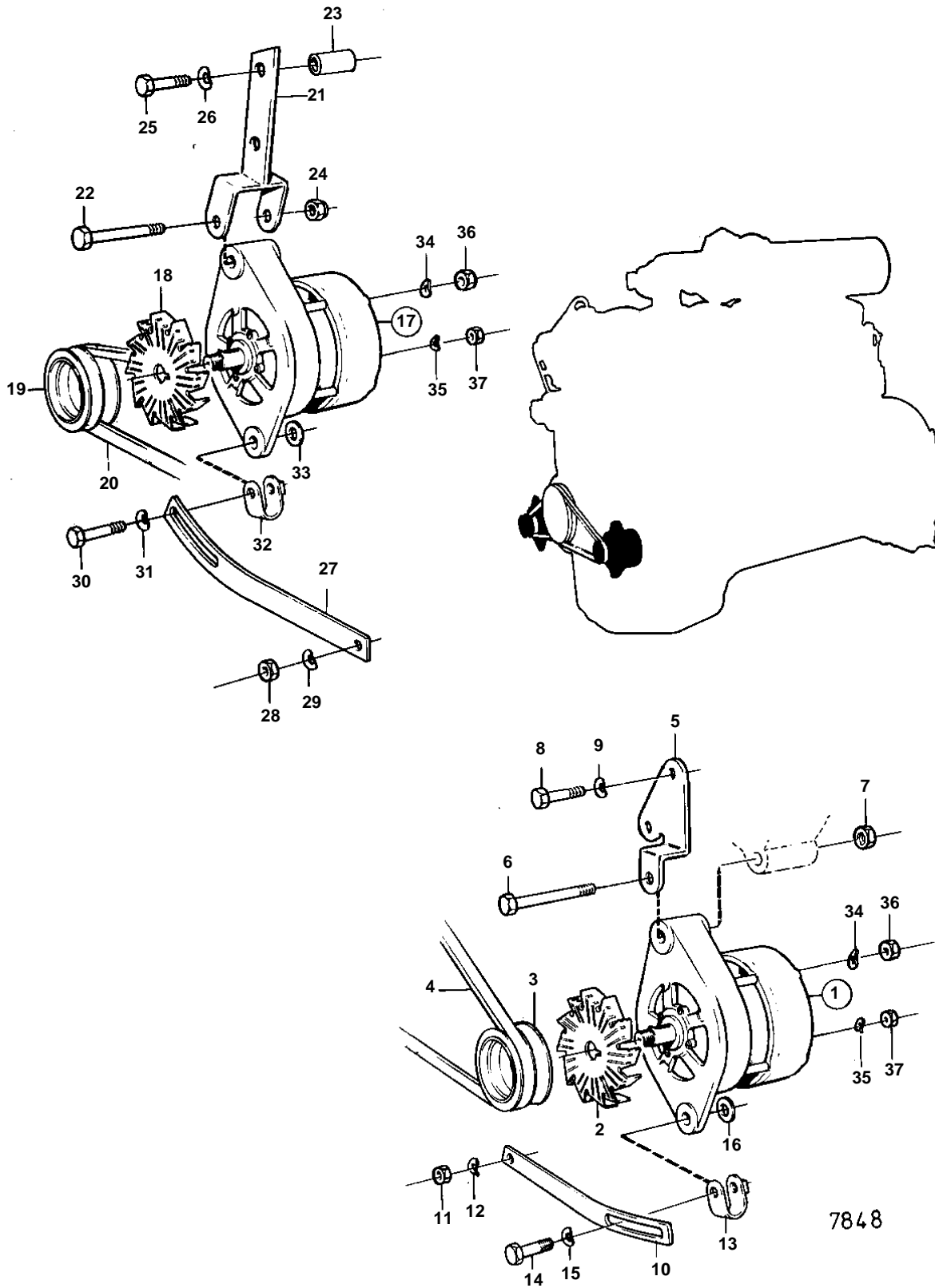


TD60D-83,TID60D



TD60D-83,TID60D

REF	PART NO.	QTY	DESCRIPTION	SEE SEC.	NOTES
1	845940	1	Alternator		28V 55A
				030-0870	
2	847707	1	Fan		INCLUDED IN ALTERNATOR.
3	822573	1	Pulley		
4	966869	1	V-belt set		L = 2X1150 MM
5	420431	1	Bracket		
6	955557	1	Screw		
7	950355	1	Nut		
8	940186	2	Screw		SEE GROUP 2A
9	941907	2	Spring washer		
10	838073	1	Tensioner		
11	955826	1	Nut		
12	941907	1	Spring washer		
13	466734	1	Tensioning eyelet		
14	955299	1	Screw		
15	941907	1	Spring washer		
16	191172	1	Washer		
17	845940	1	Alternator		28V 55A
				030-0870	
18	847707	1	Fan		INCLUDED IN ALTERNATOR.
19	822573	1	Pulley		
20	966988	1	V-belt set		L = 2X1275 MM
21	849613	1	Support bracket kit		(847233)
22	955555	1	Screw		
23	847150	1	Spacer sleeve		
24	950355	1	Nut		
25	955527	2	Screw		
26	941907	2	Spring washer		
27	966797	1	Tensioner		
28	955826	1	Nut		
29	941907	1	Spring washer		
30	955299	1	Screw		
31	941907	1	Spring washer		
32	466734	1	Tensioning eyelet		
33	191172	1	Washer		
34	941906	2	Spring washer		
35	941905	2	Spring washer		
36	955781	2	Nut		M6
37	955780	2	Nut		M5