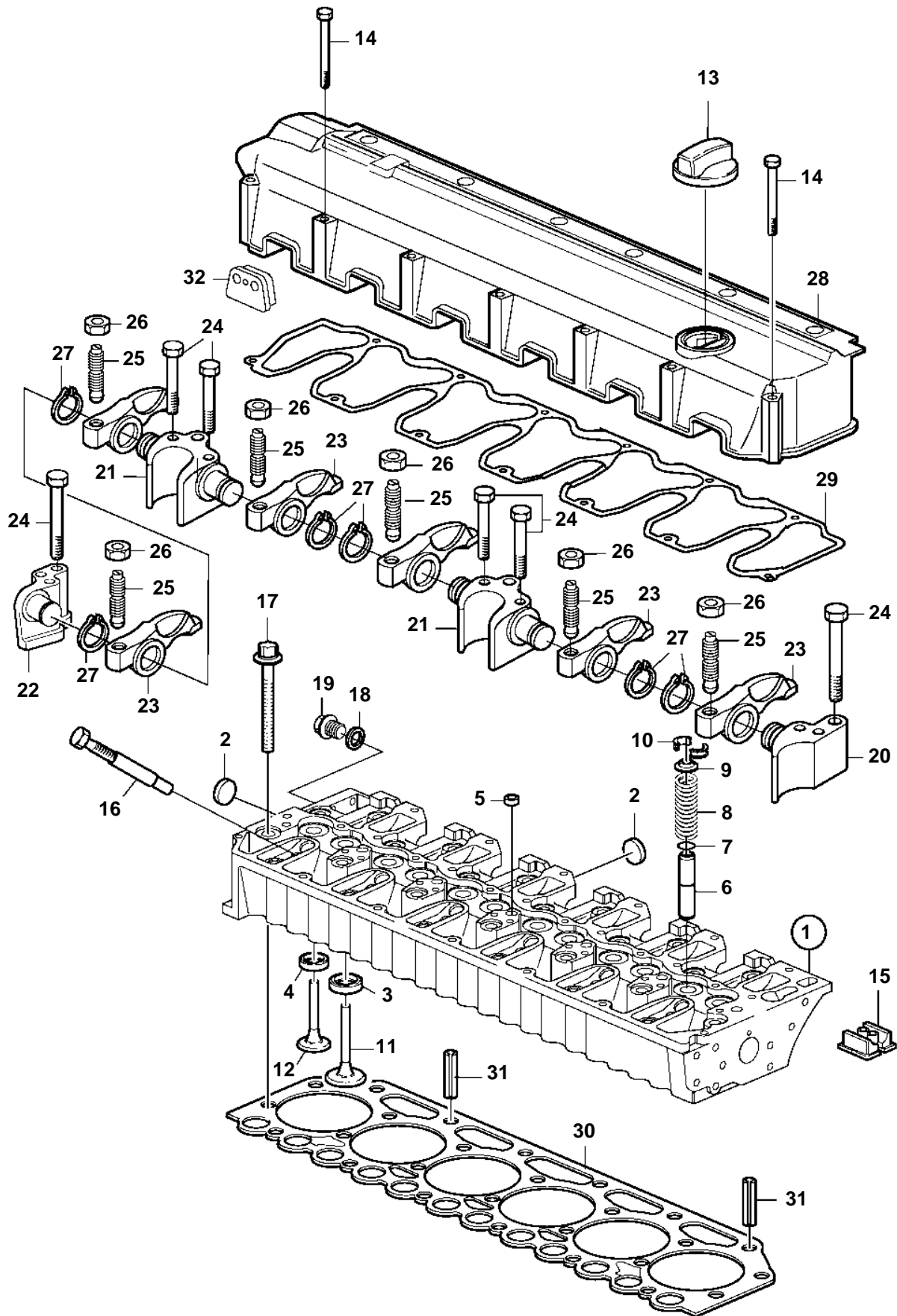


TD720VE



TD720VE

| REF | PART NO. | QTY | DESCRIPTION | NOTES |
|-----|----------|-----|---------------------------|---|
| 1 | 20489008 | 1 | Cylinder head | |
| | 3803664 | 1 | Cylinder head, exch, exch | |
| | 3803664 | 1 | Cylinder head, exch | |
| 2 | 20412745 | 5 | · Plug | |
| 3 | 20459962 | 6 | · Valve seat, intake | |
| 4 | 20459963 | 6 | · Valve seat, exhaust | |
| 5 | 20412733 | 5 | · Plug | |
| 6 | 20405897 | 12 | · Valve guide | |
| 7 | 976013 | 12 | · O-ring | |
| 8 | 11700347 | 12 | · Valve spring | |
| 9 | 11700346 | 12 | · Washer | |
| 10 | 11700345 | 24 | · Valve collet | |
| 11 | 20714469 | 6 | · Inlet valve | |
| 12 | 20565912 | 6 | · Exhaust valve | |
| 13 | 20412589 | 1 | Filler cap | |
| 14 | 20412601 | 13 | Screw | |
| 15 | 20412600 | 1 | Cover | |
| 16 | 20405895 | 6 | Plug | |
| 17 | 11700334 | 26 | Screw | |
| 18 | 947628 | 2 | Gasket | |
| 19 | 20464451 | 1 | Plug | |
| 20 | 11700367 | 1 | Bearing bracket | |
| 21 | 11700368 | 2 | Bearing bracket | |
| 22 | 11700369 | 1 | Bearing bracket | |
| 23 | 11700370 | 12 | Rocker arm | |
| 24 | 11700374 | 14 | Screw | |
| 25 | 20405524 | 12 | Adjuster screw | |
| 26 | 11700373 | 12 | Nut | |
| 27 | 945495 | 12 | Snap ring | |
| 28 | 20412599 | 1 | Valve cover | SN-01098545, When replacing the valve cover gasket is only earlier prod. in combination with earlier prod. valve cover permitted. |
| | 20725338 | 1 | Valve cover | Metal gasket only for valve cover: 20725337, SN01098546- |
| 29 | 20405900 | 1 | Gasket | TH=1,54mm |
| | 20405901 | 1 | Gasket | TH=1,64mm |
| | 20405902 | 1 | Gasket | TH=1,74mm |
| 30 | 20405521 | 2 | Locating pin | |
| 31 | 20412597 | 1 | Gasket | When replacing the valve cover gasket is only earlier prod. in combination with earlier prod. valve cover permitted., SN-01098545 |
| | 20725316 | 1 | Gasket | SN01098546-, Metal gasket only for valve cover: 20725337 |
| 32 | 888770 | 6 | Sealing ring | |