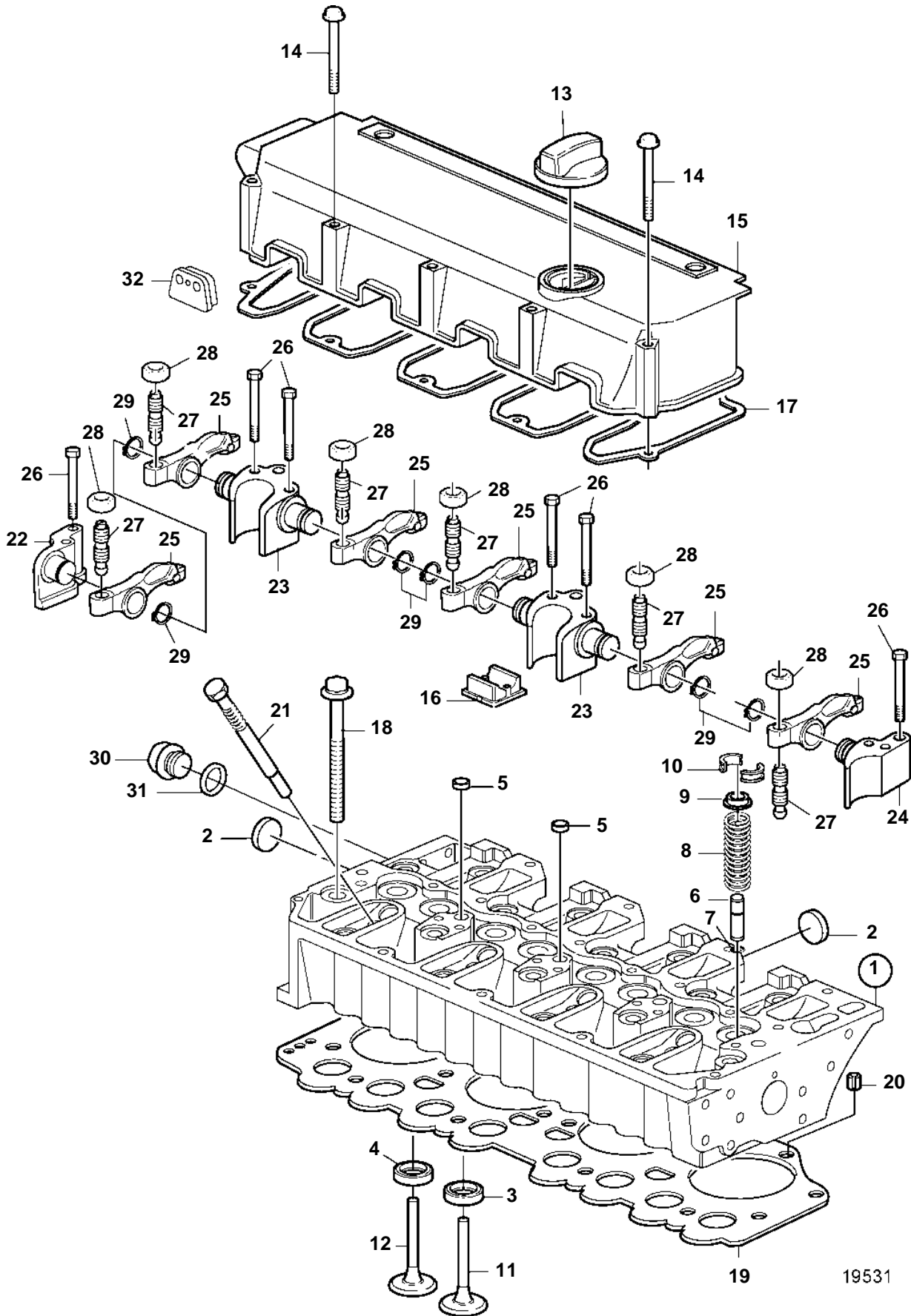


TD520VE



TD520VE

REF	PART NO.	QTY	DESCRIPTION	NOTES
1	20405500	1	Cylinder head	
	3803988	1	Cylinder head, exch, exch	
	3803988	1	Cylinder head, exch	
2	20412745	3	· Plug	
3	20459962	4	· Valve seat, intake	
4	20459963	4	· Valve seat, exhaust	
5	20412733	3	· Plug	
6	20405897	8	· Valve guide	
7	976013	8	· O-ring	
8	11700347	8	· Valve spring	
9	11700346	8	· Washer	
10	11700345	16	· Valve collet	
11	20714469	4	· Inlet valve, intake	
12	20565912	4	· Exhaust valve, exhaust	
13	20412589	1	Filler cap	
14	20412601	9	Screw	
15	20412587	1	Valve cover	SN-08180877, When replacing the valve cover gasket is only earlier prod. in combination with earlier prod. valve cover permitted.
	20725337	1	Valve cover	Metal gasket only for valve cover: 20725337, SN08180878-
16	20412590	1	· Cover	
17	20412588	1	Gasket	SN-08180877, When replacing the valve cover gasket is only earlier prod. in combination with earlier prod. valve cover permitted.
	20725315	1	Gasket	Metal gasket only for valve cover: 20725337, SN08180878-
18	11700334	18	Screw	
19	11700335	1	Gasket	TH=1,54mm
	11700336	1	Gasket	TH=1,64mm
	11700337	1	Gasket	TH=1,74mm
20	20405521	2	Locating pin	
21	20405895	4	Plug	
22	11700369	1	Bearing bracket	
23	11700368	3	Bearing bracket	
24	11700367	1	Bearing bracket	
25	11700370	8	Rocker arm	
26	11700374	10	Screw	
27	20405524	8	Adjuster screw	
28	11700373	8	Nut	
29	945495	8	Snap ring	
30	20464451	1	Plug	
31	947628	1	Gasket	
32	888770	4	Sealing ring	