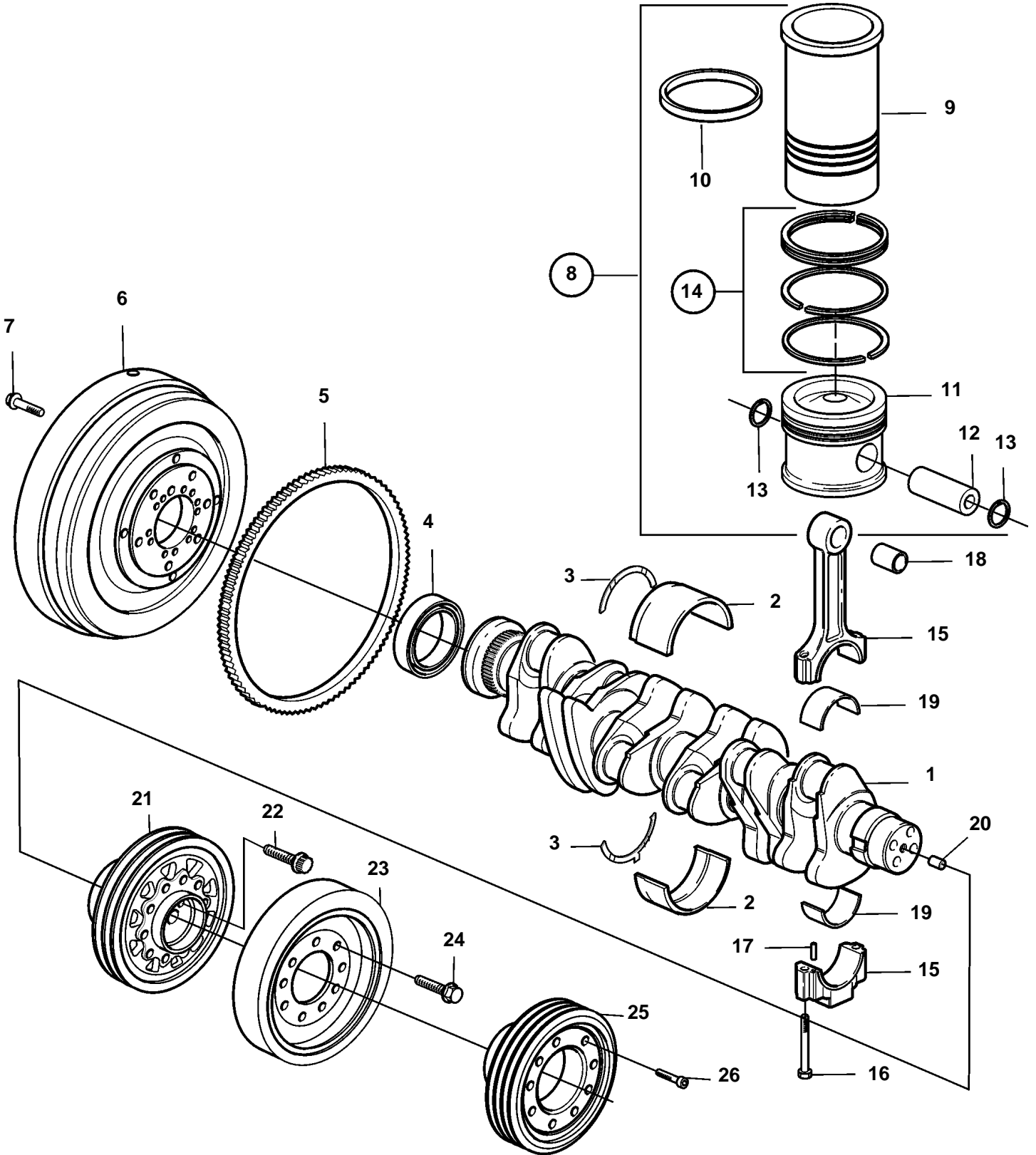


TD720VE



19556

## TD720VE

REF	PART NO.	QTY	DESCRIPTION	SEE SEC.	NOTES
1	20412323	1	Crankshaft		SN-01064130
	20724015	1	Crankshaft		SN-01099467
	20790461	1	Crankshaft		SN-01099468
	20875042	1	Crankshaft		SN01099469-
2	20405516	7	Main bearing kit		STD
	20405529	7	Main bearing kit		U.S=0,25mm
	20405541	7	Main bearing kit		U.S=0,50mm
3	20405899	1	Thrust washer kit		STD
	11700315	1	Thrust washer kit		O.S=0,20mm (3.1mm)
4		1	Crankshaft seal	6176	
5		1	Gear ring		SEE GROUP 21
6		1	Flywheel		SEE GROUP 21
7		10	Screw		
8	877337	6	Cylinder liner kit		
9		6	· Cylinder liner		
10	20412762	12	· O-ring		
11		6	· Piston		
12	20405577	6	· · Piston pin		
13	20405576	12	· · Lock ring		
14	20450775	6	· · Piston ring kit		
15	11700324	6	Connecting rod		SN-1099357, Replaced by 20585982
	20585982	6	Connecting rod		SN1099358-
16	11700326	12	· Screw		
17	20450823	6	· Pin		SN-1099357
	20459134	6	· Pin		SN1099358-
18	11700325	6	· Bushing		
19	20565150	6	Big end bearing kit		(11700316), STD, Only for 11700324, SN-1099357
	20717211	6	Big end bearing kit		Only for 11700324, (11700317), U.S=0,25mm, SN-1099357
	20565188	6	Big end bearing kit		Only for 11700324, SN-1099357, (11700318), U.S=0,50mm
	20766790	6	Big end bearing kit		SN1099358-, STD
	20790423	6	Big end bearing kit		SN1099358-, U.S=0,25mm
	20717211	6	Big end bearing kit		U.S=0,50mm, SN1099358-
20	20405634	1	Locating pin		18X24
21	20405725	1	V-belt pulley		
22	20405724	4	Screw		
23	20412598	1	Vibration damper		
24	975108	9	Flange screw		
25		1	Pulley		
26		9	Flange screw		