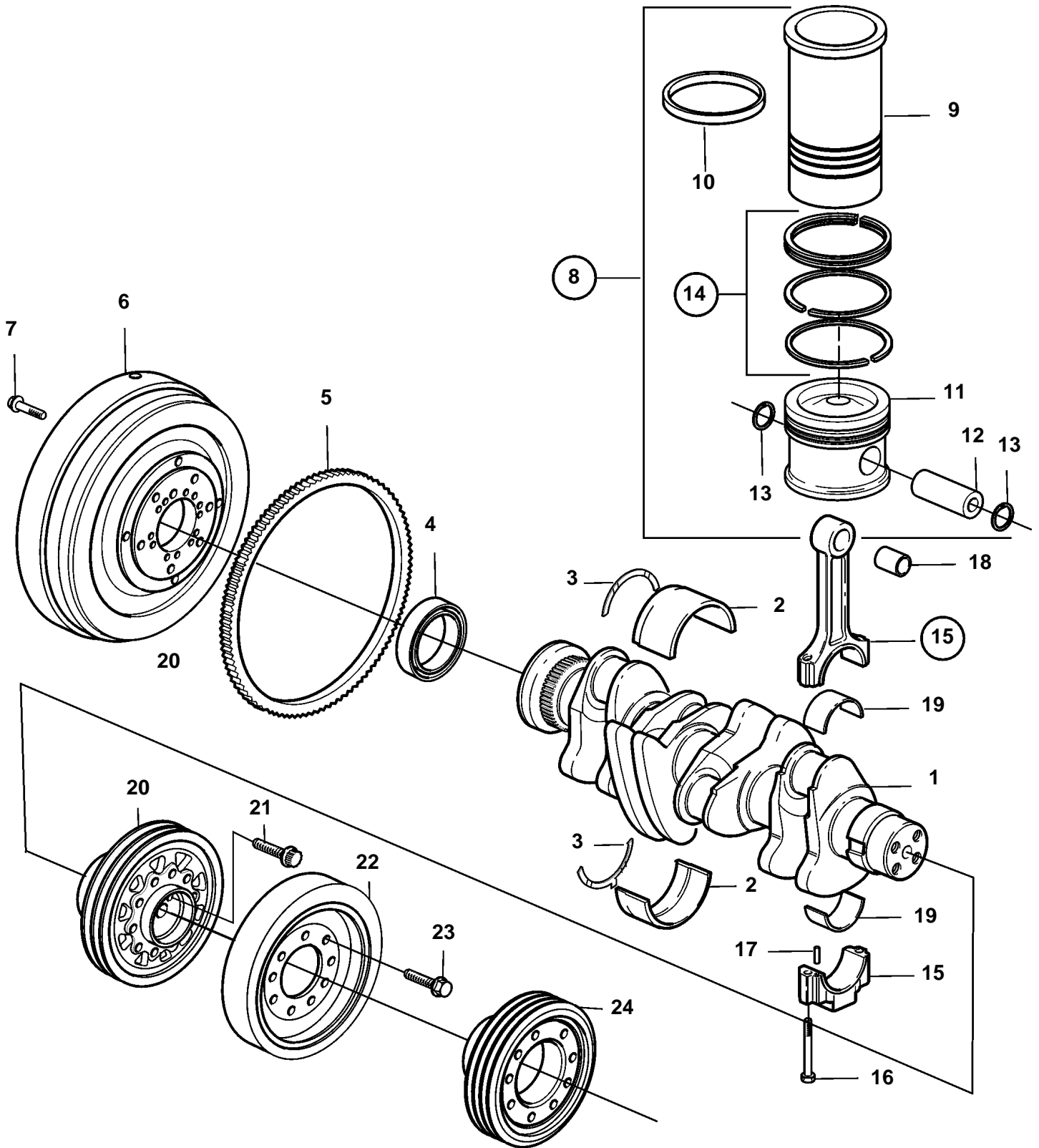


TD520VE



20035

## TD520VE

REF	PART NO.	QTY	DESCRIPTION	NOTES
1	20405540	1	Crankshaft	SN-01098272
	20900811	1	Crankshaft	SN01098273-
2	20405516	5	Main bearing kit	STD
	20405529	5	Main bearing kit	U.S=0,25mm
	20405541	5	Main bearing kit	U.S=0,50mm
3	20405899	1	Thrust washer kit	STD
	11700315	1	Thrust washer kit	O.S=0,20mm (3.1mm)
4		1	Crankshaft seal	
5		1	Gear ring	SEE GROUP 21
6		1	Flywheel	SEE GROUP 21
7		10	Screw	
8	877337	4	Cylinder liner kit	
9		4	· Cylinder liner	
10	20412762	8	· O-ring	
11		4	· Piston	
12	20405577	4	· · Piston pin	
13	20405576	8	· · Lock ring	
14	20405571	4	· · Piston ring kit	
15	11700324	4	Connecting rod	SN-1099357, Replaced by 20585982
	20585982	4	Connecting rod	SN1099358-
16	11700326	8	· Screw	
17	20450823	4	· Pin	SN-1099357
	20459134	4	· Pin	SN1099358-
18	11700325	4	· Bushing	
19	20565150	4	Big end bearing kit	(11700316), SN-1099357, Only for 11700324, STD
	20717211	4	Big end bearing kit	Only for 11700324, (11700317), SN-1099357, U.S=0,25mm
	20565188	4	Big end bearing kit	Only for 11700324, (11700318), U.S=0,50mm, SN-1099357
	20766790	4	Big end bearing kit	SN1099358-, STD
	20790423	4	Big end bearing kit	SN1099358-, U.S=0,25mm
	20717211	4	Big end bearing kit	SN1099358-, U.S=0,50mm
20	20405725	1	V-belt pulley	
21	20405724	4	Screw	
22	20412598	1	Vibration damper	
23	975108	9	Flange screw	
24		1	Pulley	