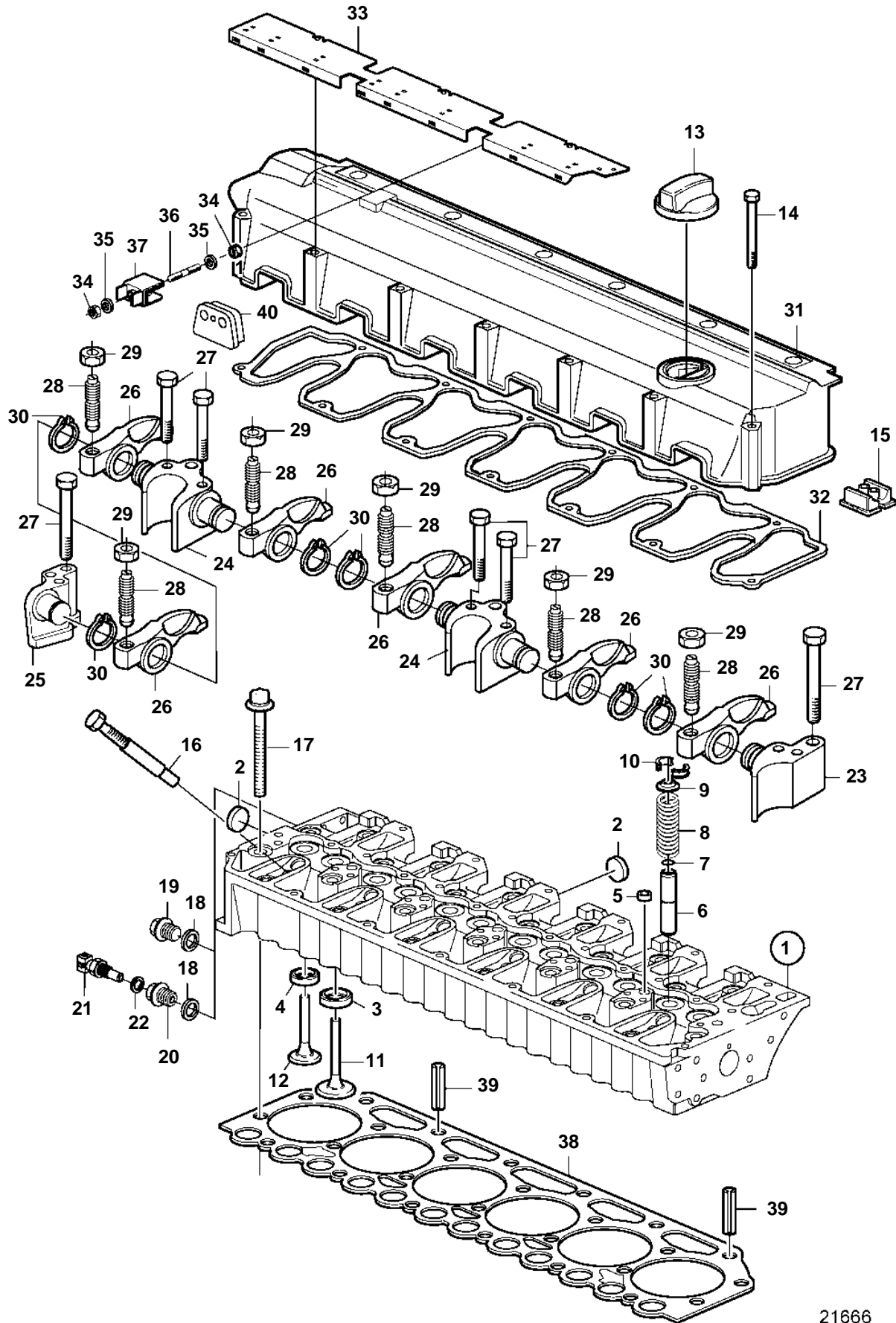


TD720GE, TAD720GE



21666

## TD720GE, TAD720GE

REF	PART NO.	QTY	DESCRIPTION	NOTES
1	20489008	1	Cylinder head	
	3803664	1	Cylinder head, exch, exch	
	3803664	1	Cylinder head, exch	
2	20412745	5	· Plug	
3	20459962	6	· Valve seat, intake	STD=49,09mm, STD
	20580079	6	Valve seat, intake	O.S=0,20mm
	20580080	6	Valve seat, intake	O.S=0,40mm
4	20459963	6	· Valve seat, exhaust	STD, STD=43,60mm
	20580082	6	· Valve seat, exhaust	O.S=0,20mm
	20580083	6	· Valve seat	O.S=0,40mm
5	20412733	5	· Plug	
6	20405897	12	· Valve guide	STD, STD=15,00mm
	20580074	12	· Valve guide	O.S=0,25mm
	20580078	12	· Valve guide	O.S=0,50mm
7	976013	12	· O-ring	
8	11700347	12	· Valve spring	
9	11700346	12	· Washer	
10	11700345	24	· Valve collet	
11	20714469	6	· Inlet valve, intake	
12	20565912	6	· Exhaust valve, exhaust	
13	20412589	1	Filler cap	
14	20412601	13	Screw	
15	20412600	1	Cover	
16	20405895	6	Plug	
17	11700334	26	Screw	
18	947628	2	Gasket	
19	20464451	1	Plug	
20	20450683	1	Adapter	
21	20513340	1	Temperature sensor, fuel	(20450685)
22	969011	1	· Gasket	
23	11700367	1	Bearing bracket	
24	11700368	2	Bearing bracket	
25	11700369	1	Bearing bracket	
26	11700370	12	Rocker arm	
27	965181	14	Screw	
28	20405524	12	Adjuster screw	
29	11700373	12	Nut	
30	20549891	12	Lock clip	
31	20412599	1	Valve cover	When replacing the valve cover gasket is only earlier prod. in combination with earlier prod. valve cover permitted., SN-01098545
	20725338	1	Valve cover	SN01098546-, Metal gasket only for valve cover: 20725338
32	20412597	1	Gasket	When replacing the valve cover gasket is only earlier prod. in combination with earlier prod. valve cover permitted., SN-01098545
	20725316	1	Gasket	SN01098546-, Metal gasket only for valve cover: 20725338
33	20450954	1	Cover plate	EDC IV
34	20460344	2	Nut	EDC IV
35	20460345	2	Washer	EDC IV
36	20580716	1	Joint nipple	EDC IV
37	20450956	1	Clamp	EDC IV
38	20405900	1	Gasket	TH=1,54mm
	20405901	1	Gasket	TH=1,64mm
	20405902	1	Gasket	TH=1,74mm
39	20405521	2	Locating pin	
40	20405886	6	Rubber seal	