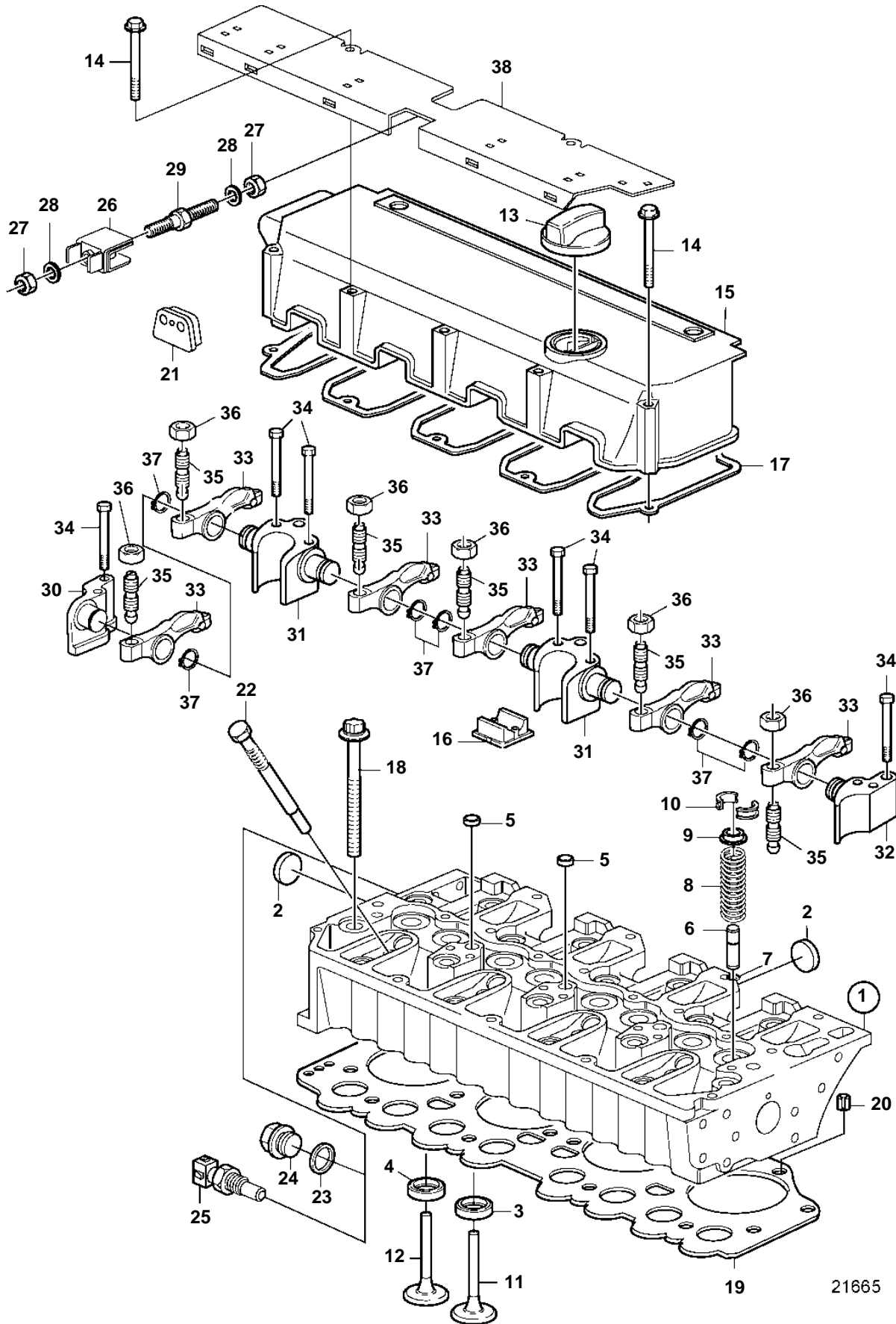


TD520GE, TAD520GE



21665

## TD520GE, TAD520GE

REF	PART NO.	QTY	DESCRIPTION	NOTES
1	20405500	1	Cylinder head	
	3803988	1	Cylinder head, exch, exch	
	3803988	1	Cylinder head, exch	
2	20412745	3	· Plug	
3	20459962	4	· Valve seat, intake	STD, STD=49,09mm
	20580079	4	· Valve seat, intake	O.S=0,20mm
	20580080	4	· Valve seat, intake	O.S=0,40mm
4	20459963	4	· Valve seat, exhaust	STD=43,60mm, STD
	20580082	4	Valve seat, exhaust	O.S=0,20mm
	20580083	4	Valve seat, exhaust	O.S=0,40mm
5	20412733	3	· Plug	
6	20405897	8	· Valve guide	STD=15,00mm, STD
	20580074	8	· Valve guide	O.S=0,25mm
	20580078	8	· Valve guide	O.S=0.50mm
7	976013	8	· O-ring	
8	11700347	8	· Valve spring	
9	11700346	8	· Washer	
10	11700345	16	· Valve collet	
11	20714469	4	· Inlet valve, intake	(20572597)
12	20565912	4	· Exhaust valve, exhaust	
13	20412589	1	Filler cap	
14	20412601	9	Screw	
15	20412587	1	Valve cover	When replacing the valve cover gasket is only earlier prod. in combination with earlier prod. valve cover permitted., EARLIER PROD
	20725337	1	Valve cover	LATER PROD, Metal gasket only for valve cover: 20725337
16	20412590	1	· Cover	
17	20412588	1	Gasket	EARLIER PROD
	20725315	1	Gasket	Metal gasket only for valve cover: 20725337, LATER PROD
18	11700334	18	Screw	
19	11700335	1	Gasket	TH=1,54mm
	11700336	1	Gasket	TH=1,64mm
	11700337	1	Gasket	TH=1,74mm
20	20405521	2	Locating pin	
21	20405886	6	Rubber seal	
22	20405895	4	Plug	
23	947628	1	Gasket	
24	20464451	1	Plug	
25	20543720	1	Temperature sensor, coolant water	(20405787)
26	20450956	1	Clamp	EDC IV
27	20460344	2	Nut	EDC IV
28	20460345	2	Washer	EDC IV
29	20580716	1	Joint nipple	EDC IV
30	11700369	1	Bearing bracket	
31	11700368	3	Bearing bracket	
32	11700367	1	Bearing bracket	
33	11700370	8	Rocker arm	
34	965181	10	Screw	
35	20405524	8	Adjuster screw	
36	11700373	8	Nut	
37	20549891	8	Lock clip	
38	20459964	1	Cover plate	EDC IV